

# Catalog v6.1

Services page 2

Buttons page 3

Gongs&Bells page 22

Guide Shoes page 23

Locks page 54

Rollers page 55

Switches page 60

Updated on 2013.3.

## SERVICES

### Special Orders

If you need an item in a special size or features not listed in our catalog, please contact us ,we do special orders for you.

### Minimum Orders

We requires minimum order size. The quantity accepted depends on different items.

### Payment Policies

Up to now, there is only one way to make payment on your account: Letter of credit (L/C).

### Prices and Terms

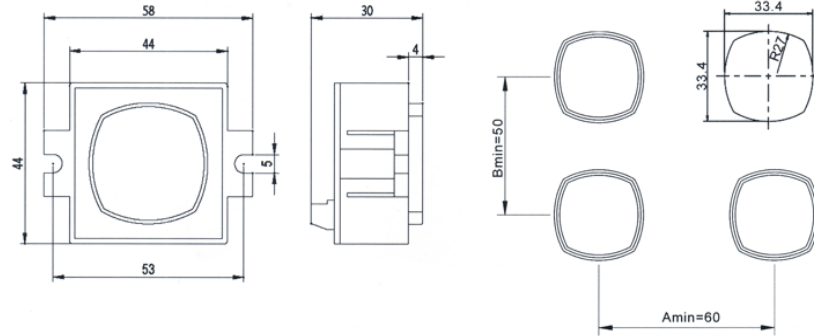
All prices are FOB. Prices prevailing when your order is received will apply. Volume discounts are available for a variety of products.

### Return of items

We take extreme care to every order. If you find errors or damaged goods, we allow you to return all the errors or the damaged.



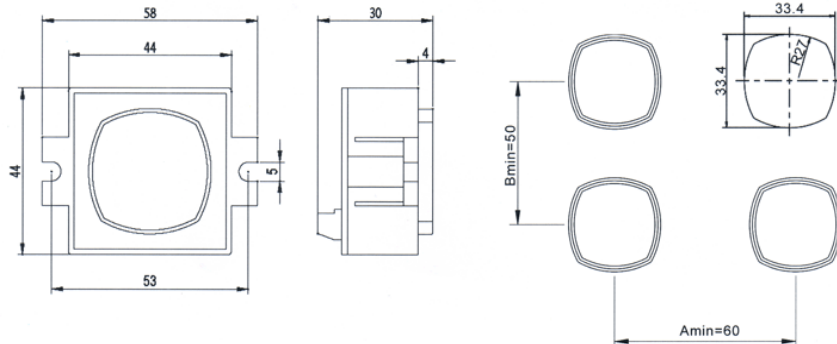
Part No.: Q0801J5



measure: mm



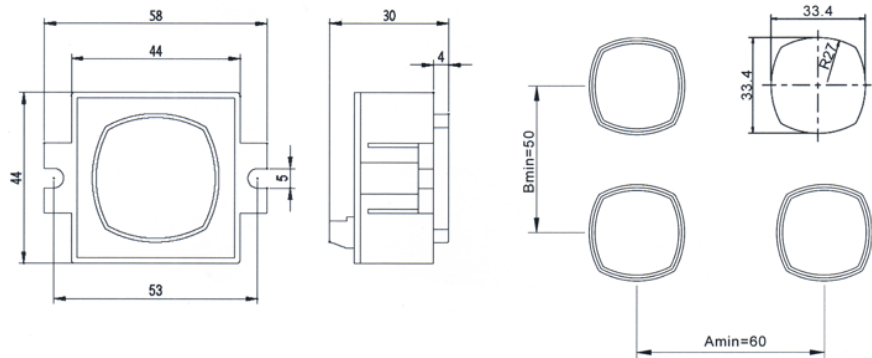
Part No.: Q0802J5



measure: mm



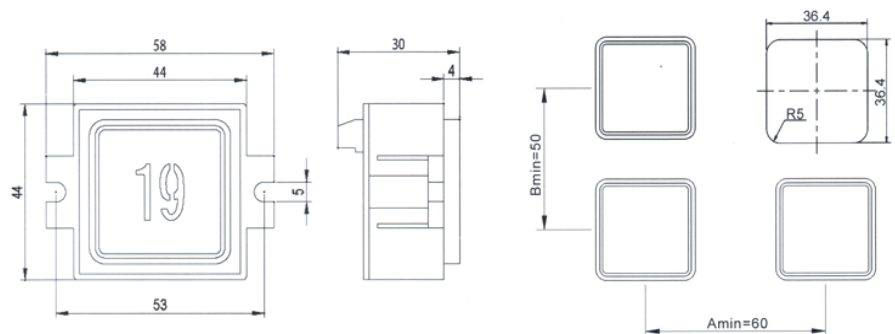
Part No.: Q0804J5

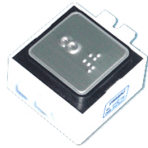


measure: mm

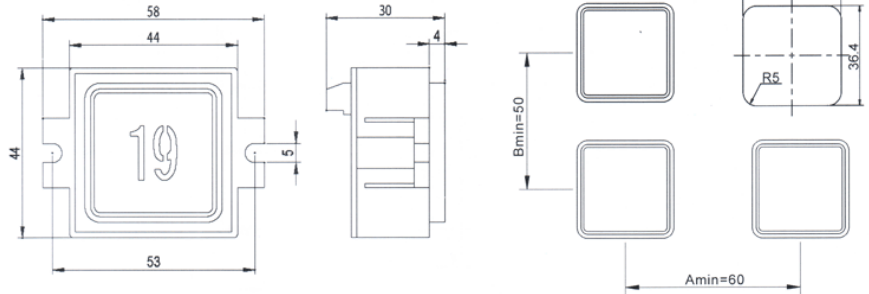


Part No.: Q0807J5

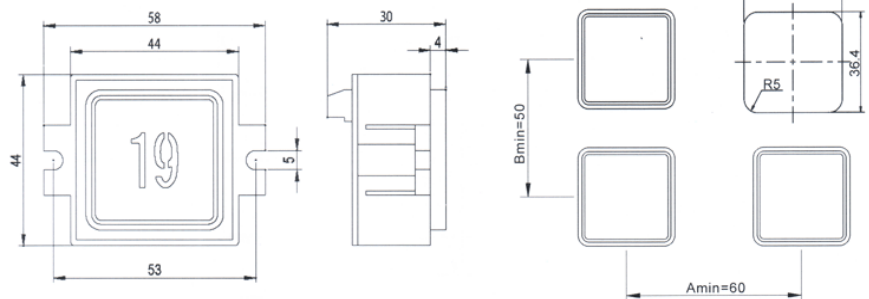




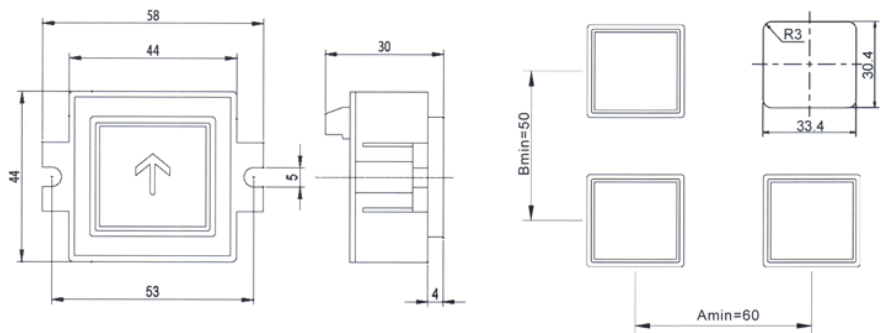
Part No.: Q0808J5



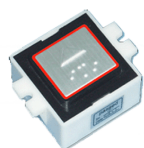
Part No.: Q0809J5



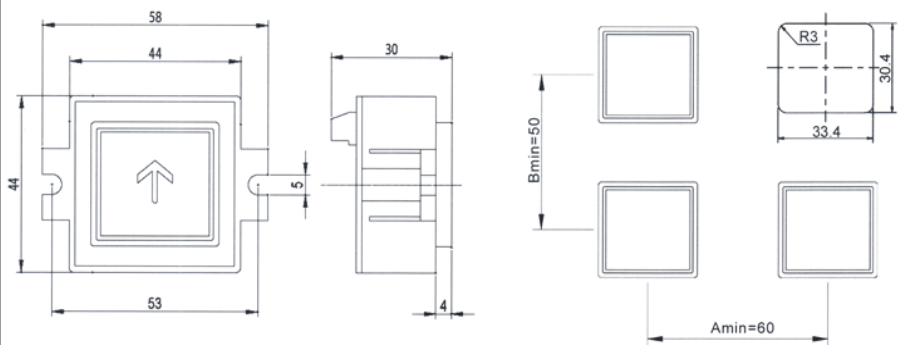
Part No.: Q0810J5



measure: mm



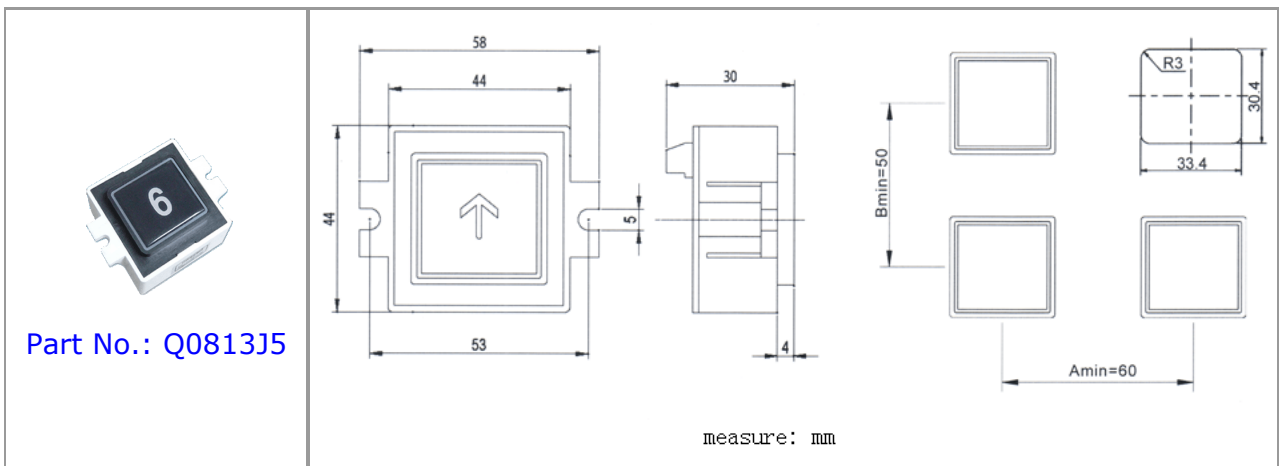
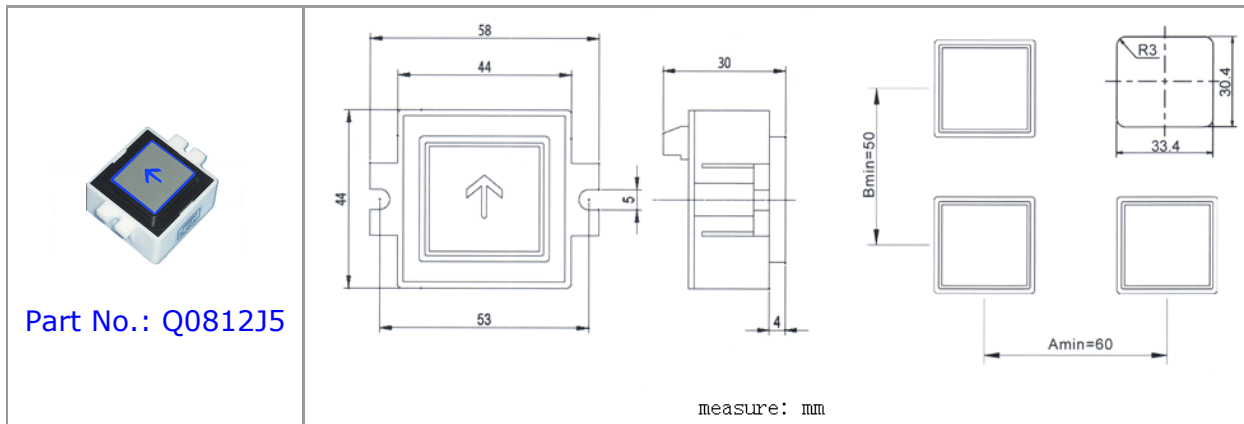
Part No.: Q0811J5



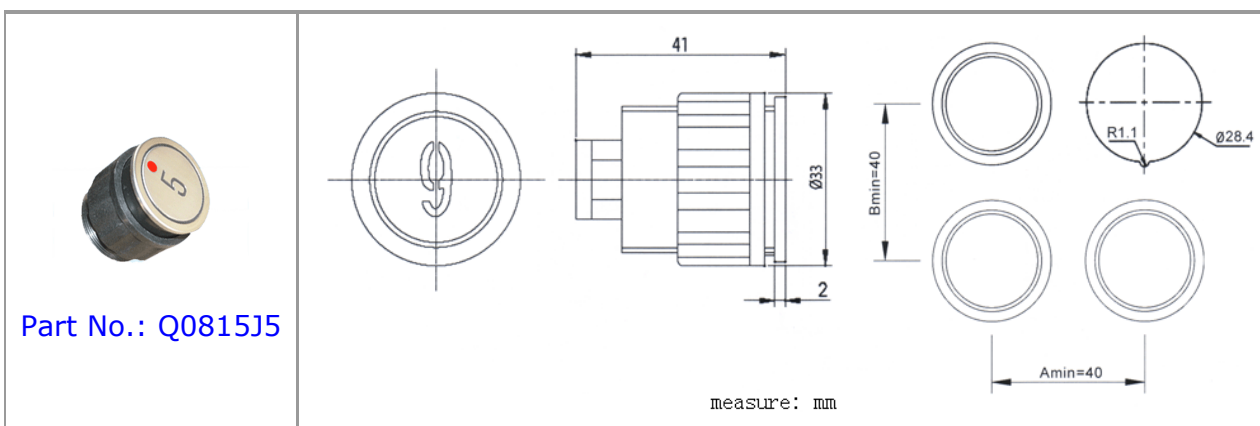
measure: mm

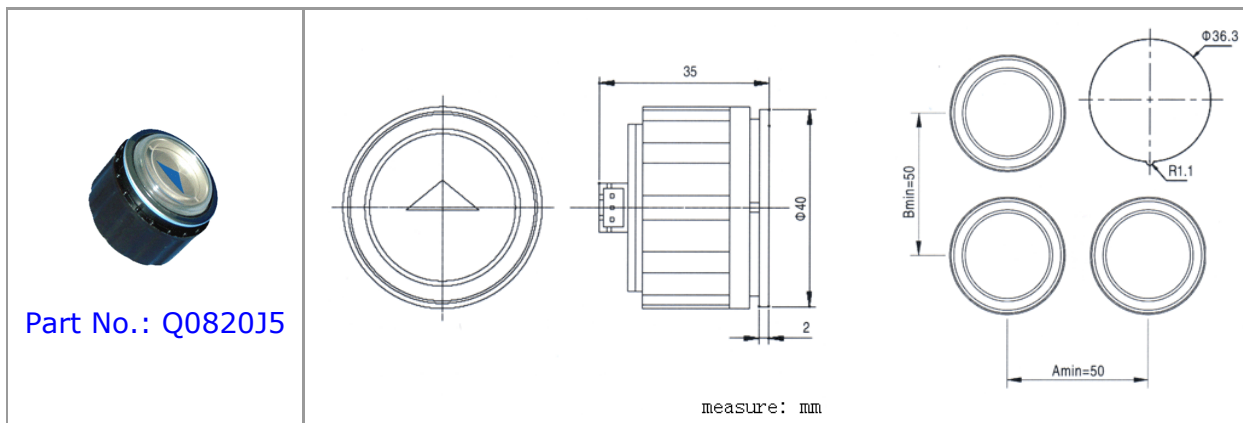
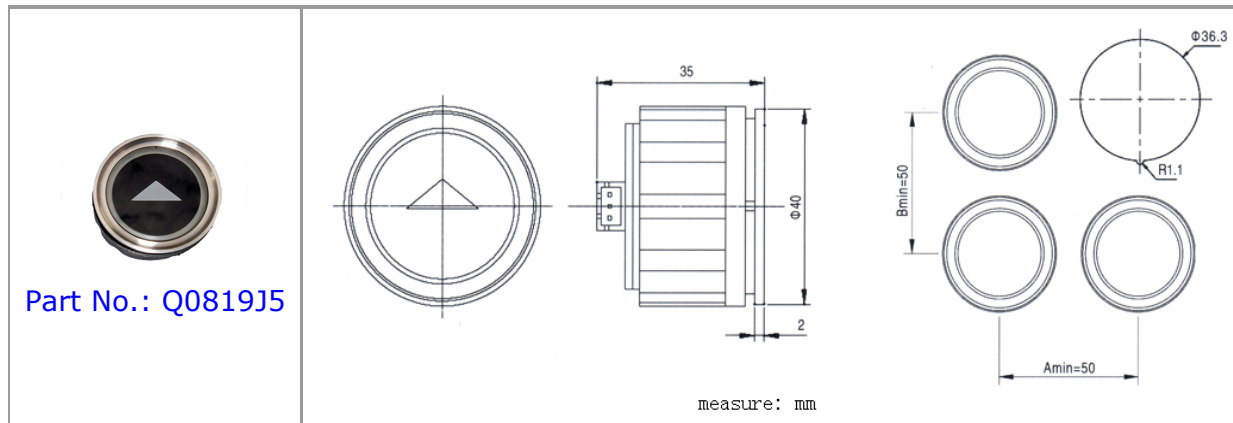
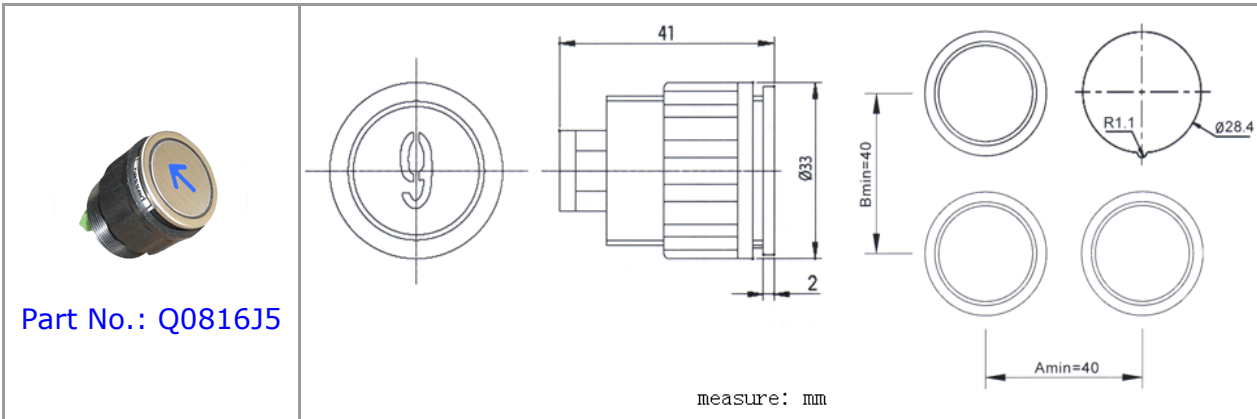
Buttons

25.4mm = 1inch  
mm — millimeter



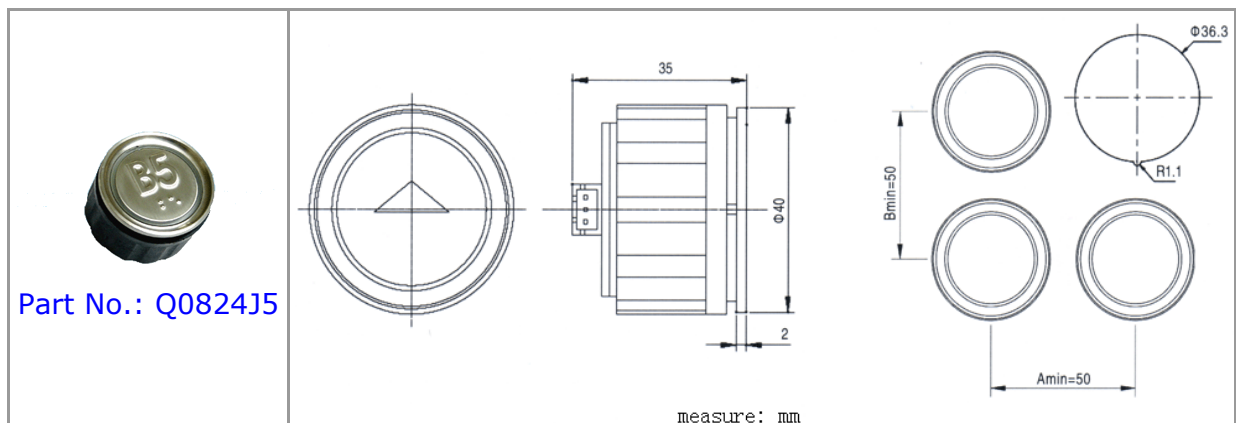
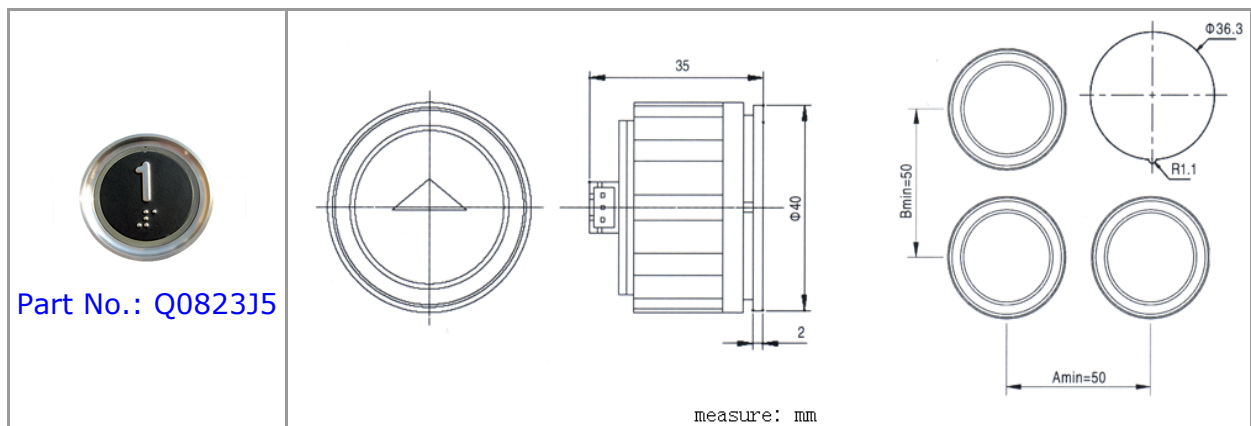
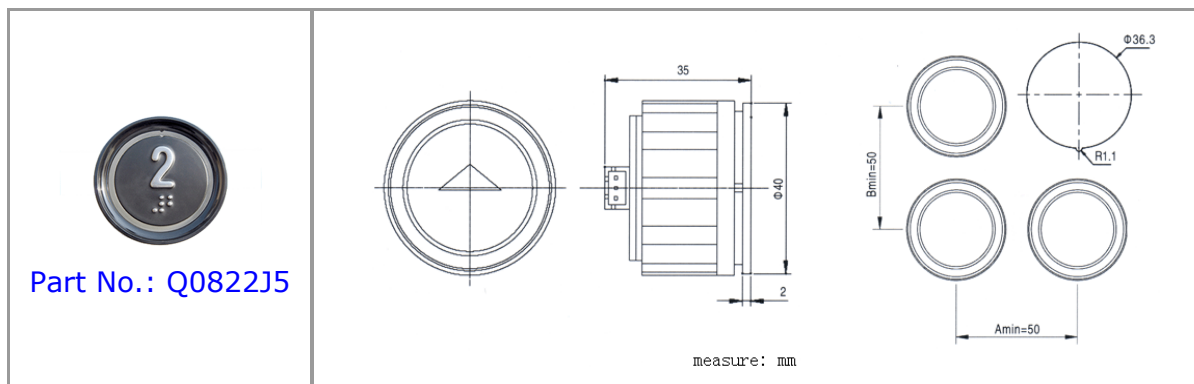
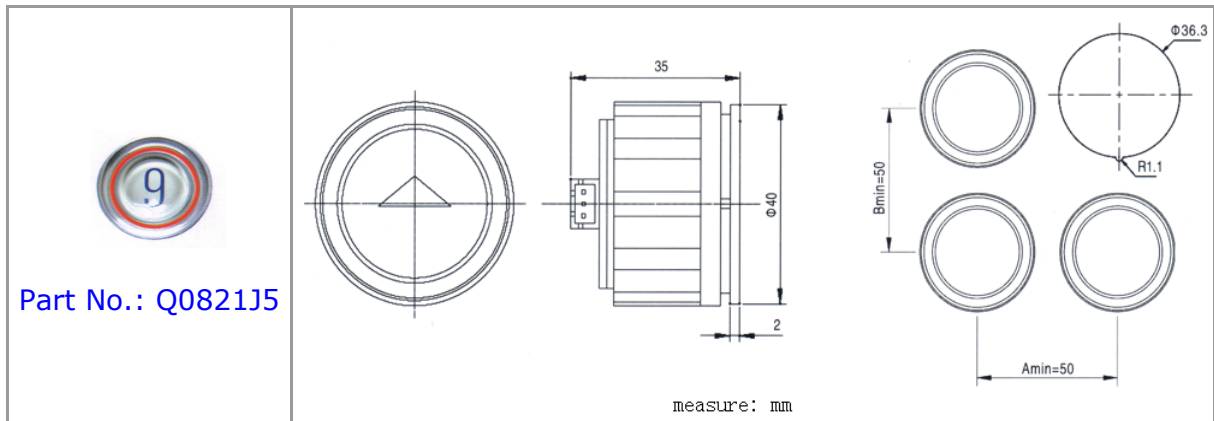
25.4mm = 1inch  
mm — millimeter

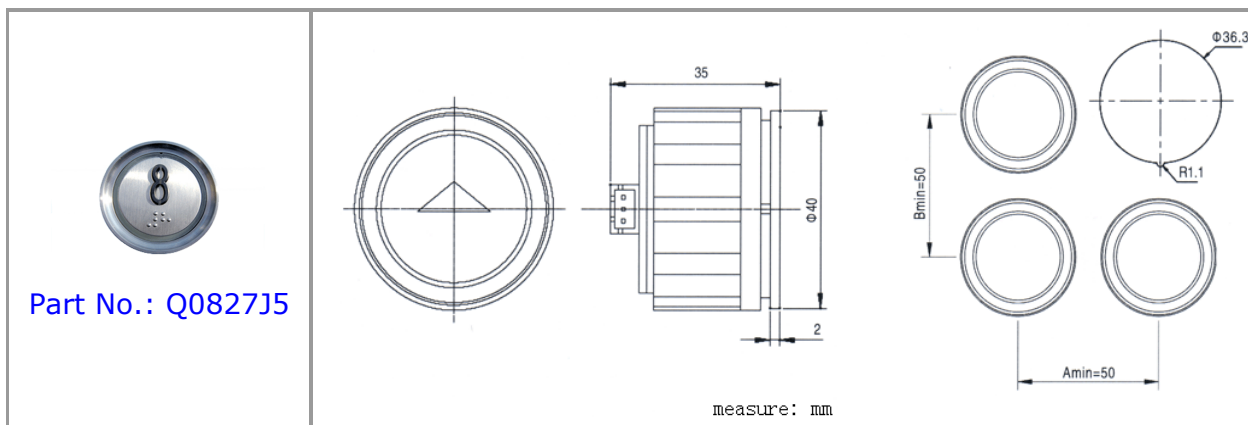
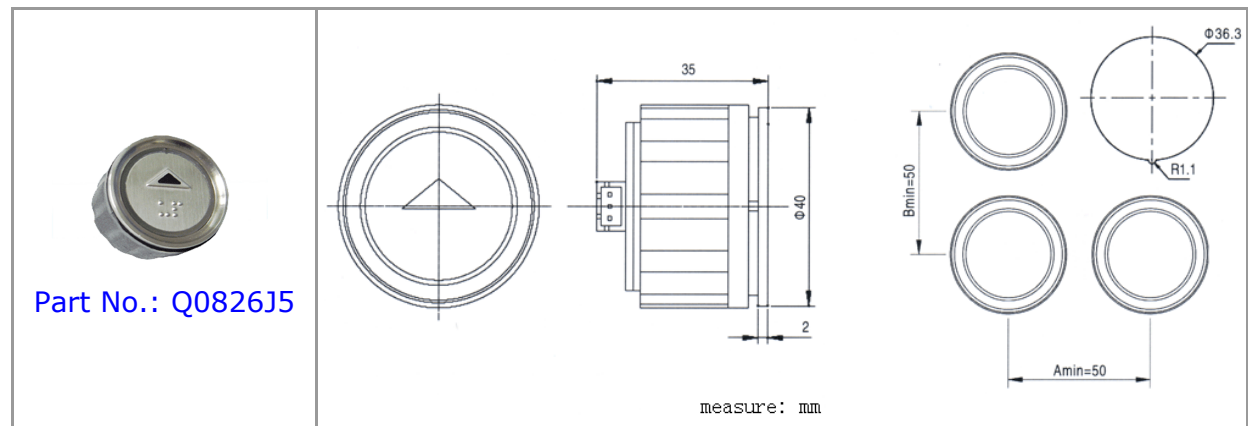
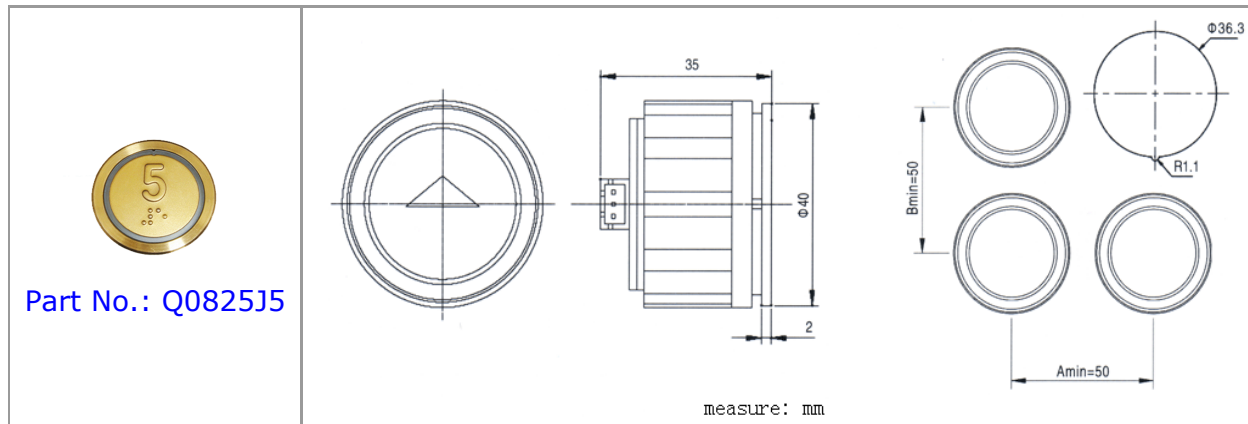




Buttons

25.4mm = 1inch  
mm — millimeter






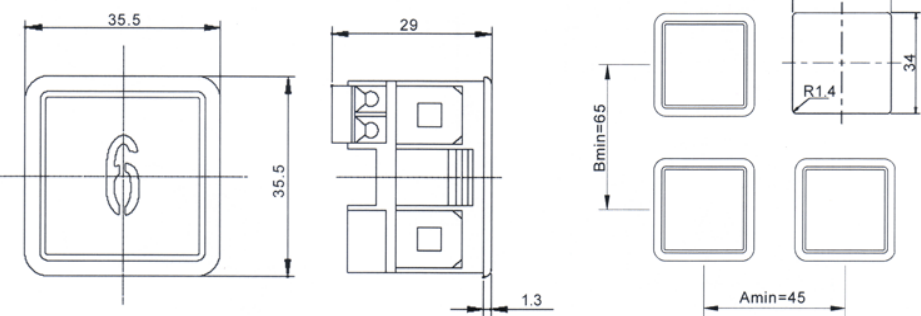
Buttons

25.4mm = 1inch  
mm — millimeter

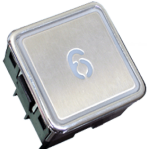




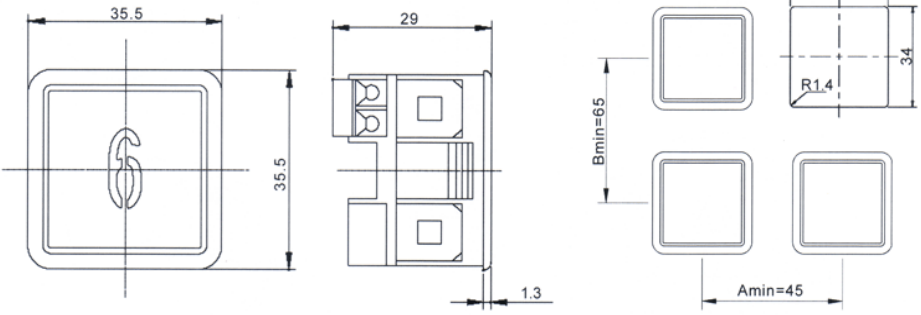
Part No.: Q0829J5




measure: mm



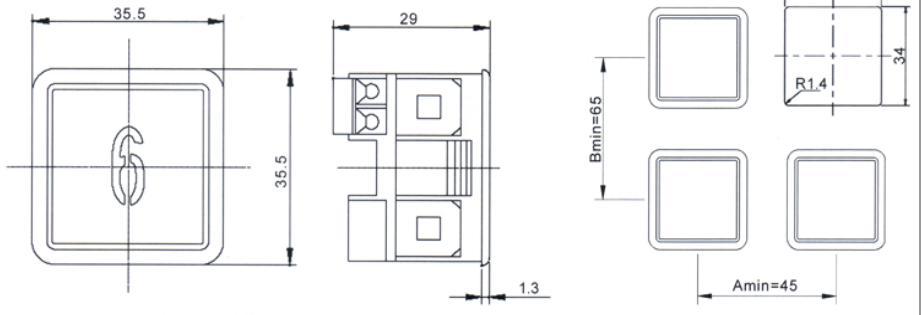
Part No.: Q0830J5



measure: mm



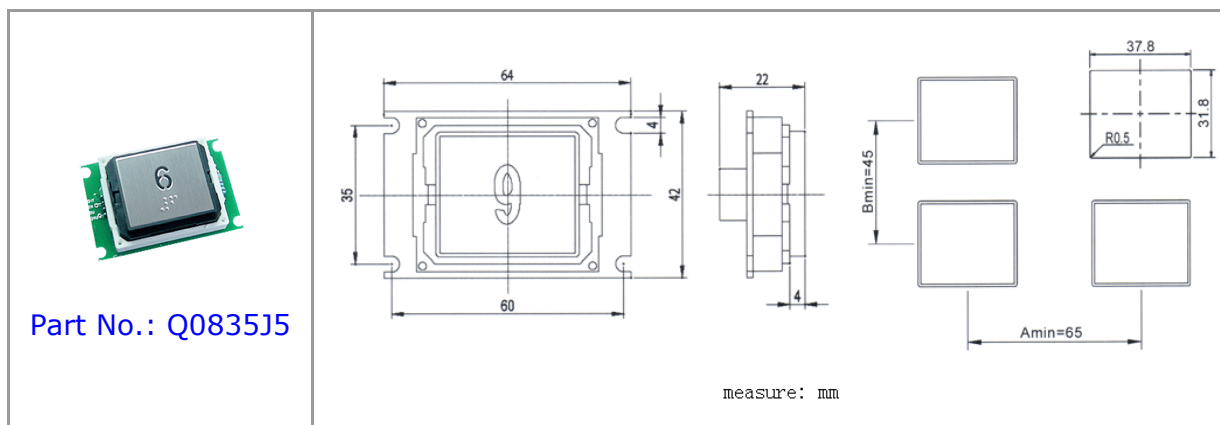
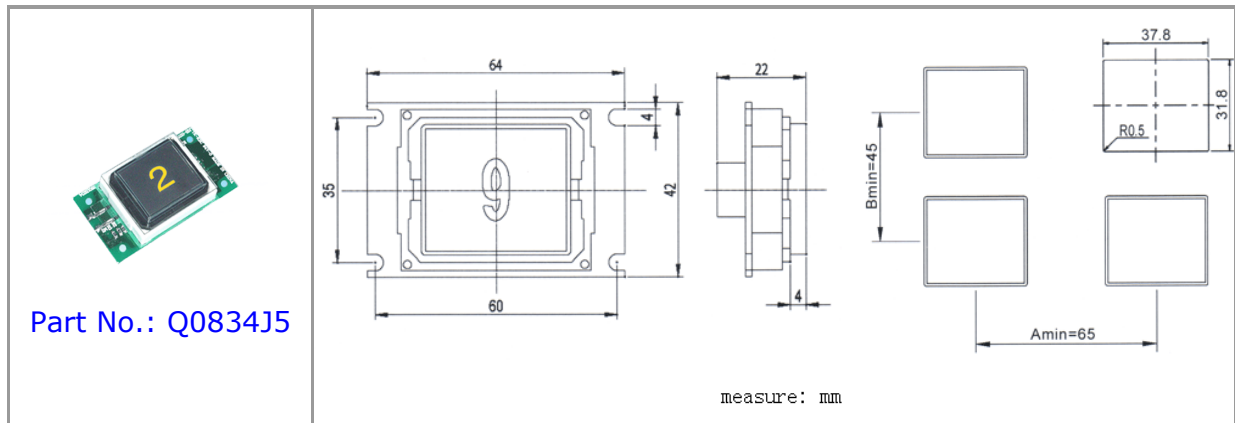
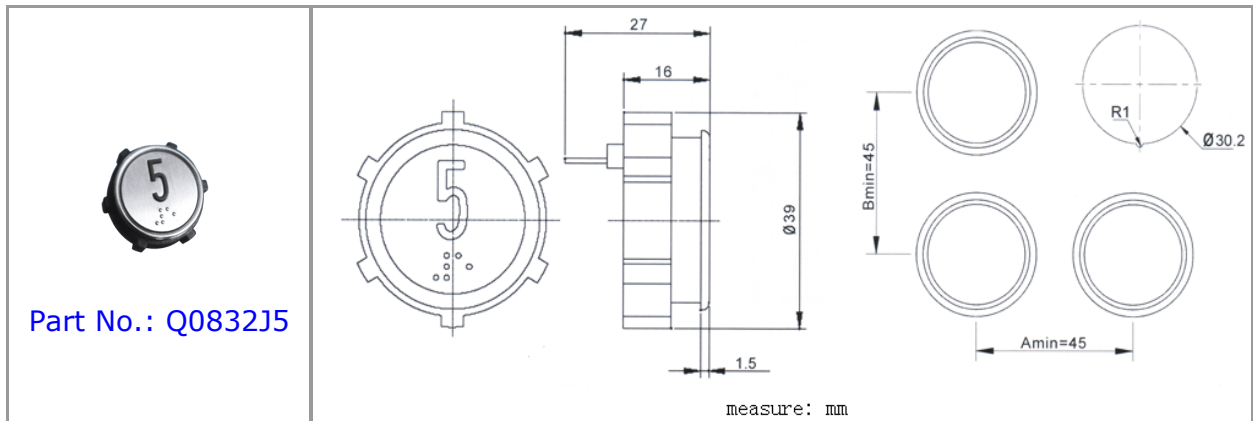
Part No.: Q0831J5



measure: mm

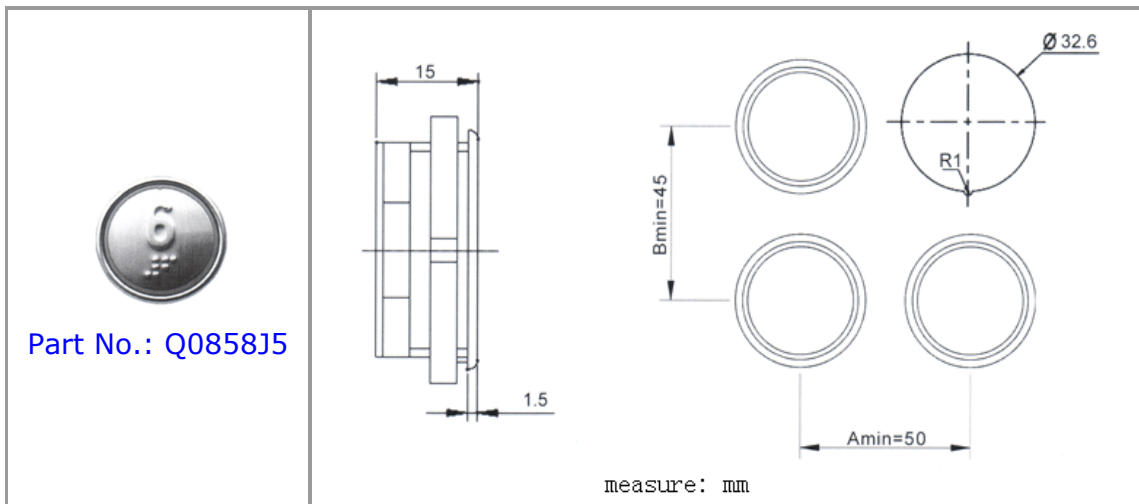
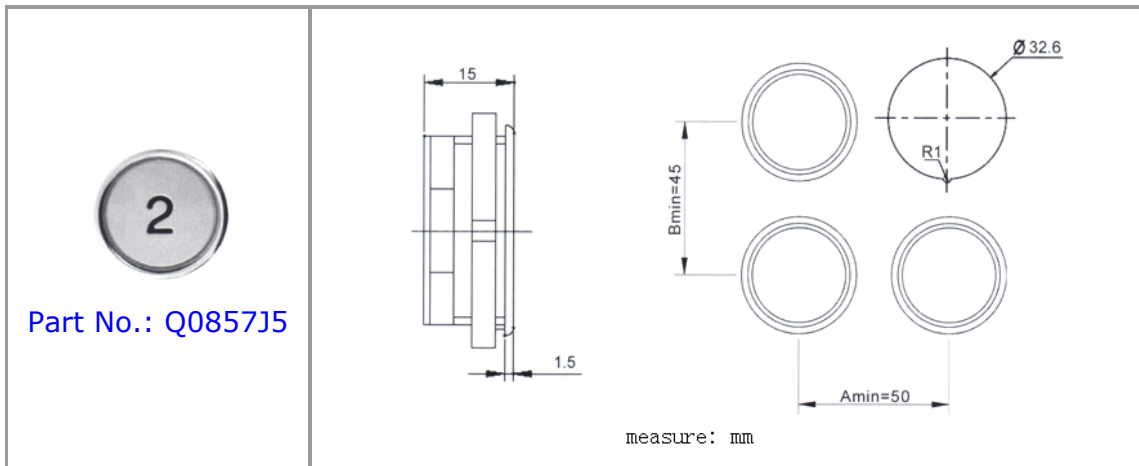
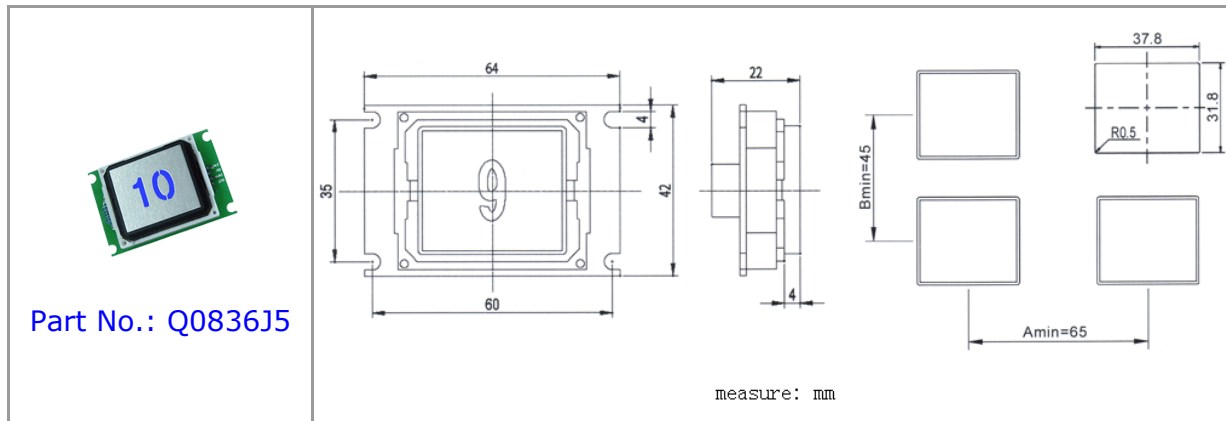
Buttons

25.4mm = 1inch  
mm — millimeter



Buttons

25.4mm = 1inch  
mm — millimeter

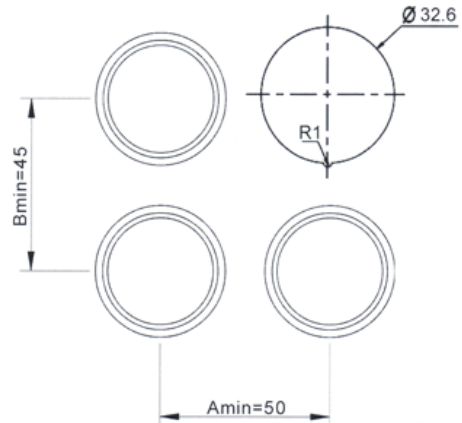
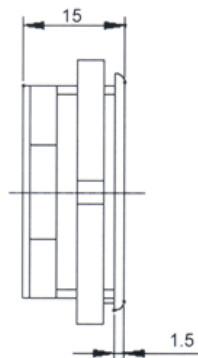


Buttons

25.4mm = 1inch  
mm — millimeter



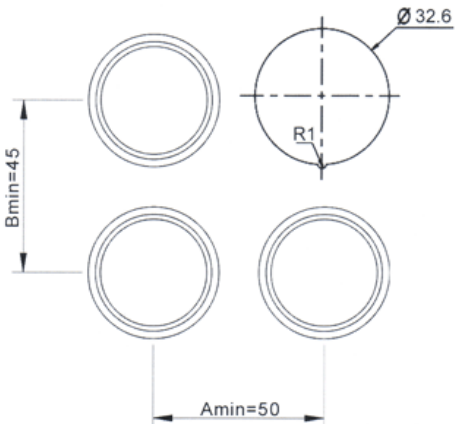
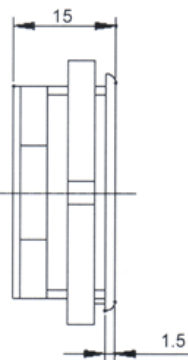
Part No.: Q0859J5



measure: mm



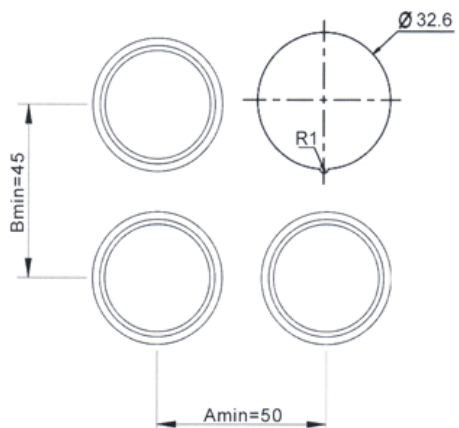
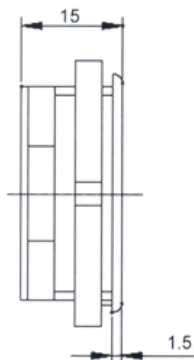
Part No.: Q0860J5



measure: mm



Part No.: Q0861J5



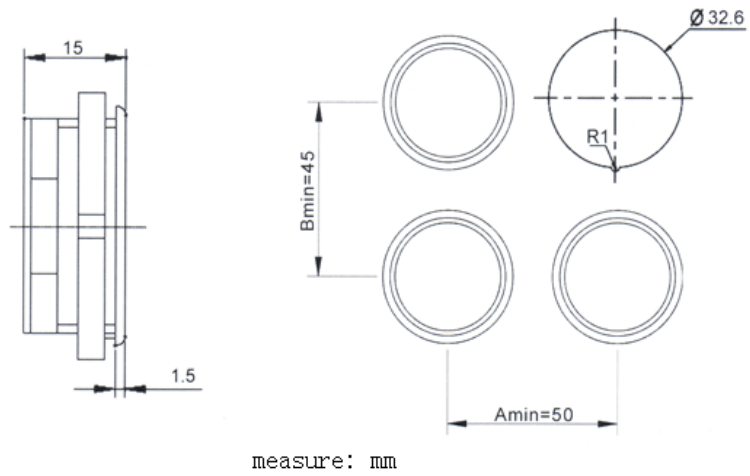
measure: mm

Buttons

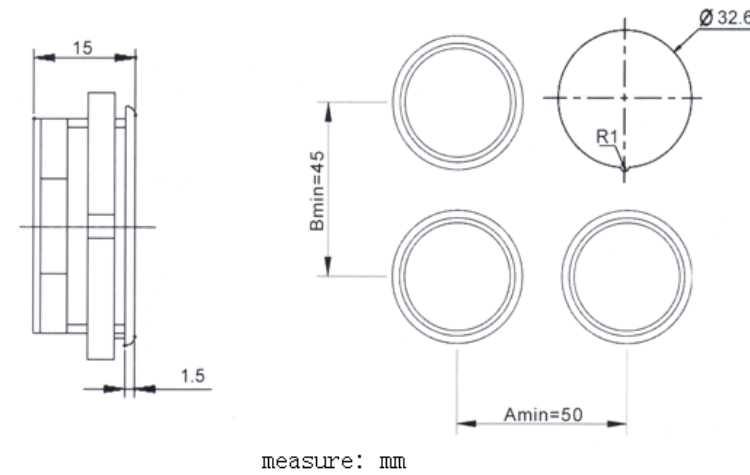
25.4mm = 1inch  
mm — millimeter



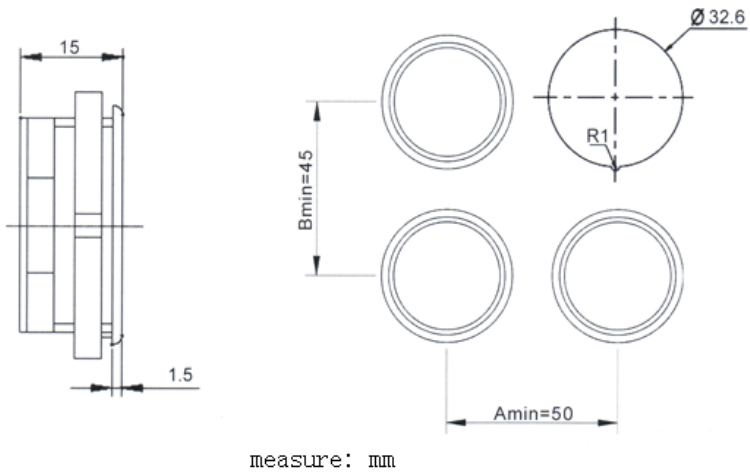
Part No.: Q0862J5



Part No.: Q0863J5



Part No.: Q0864J5

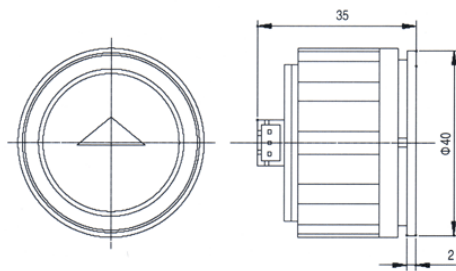


Buttons

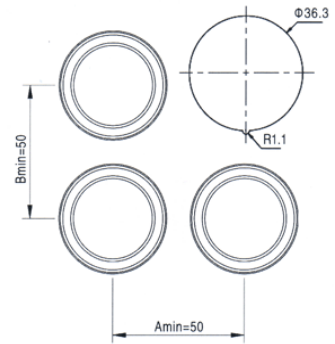
25.4mm = 1inch  
mm – millimeter



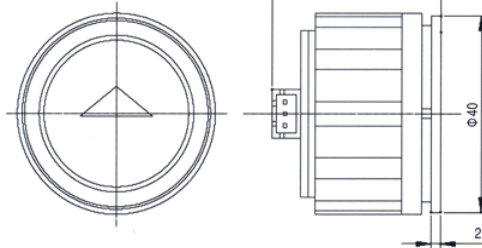
Part No.: Q0898J5



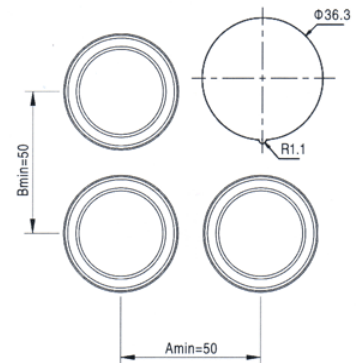
measure: mm



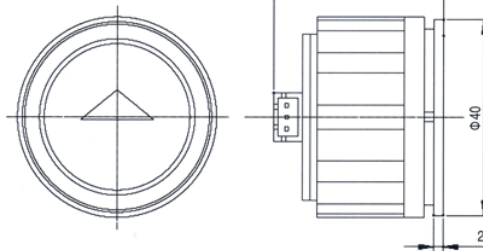
Part No.: Q08a8J5



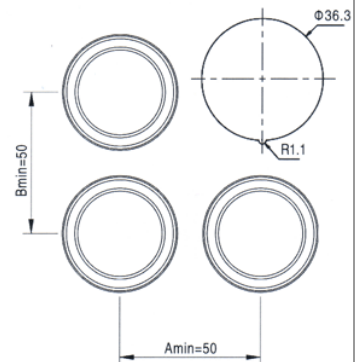
measure: mm



Part No.: Q08b6J5

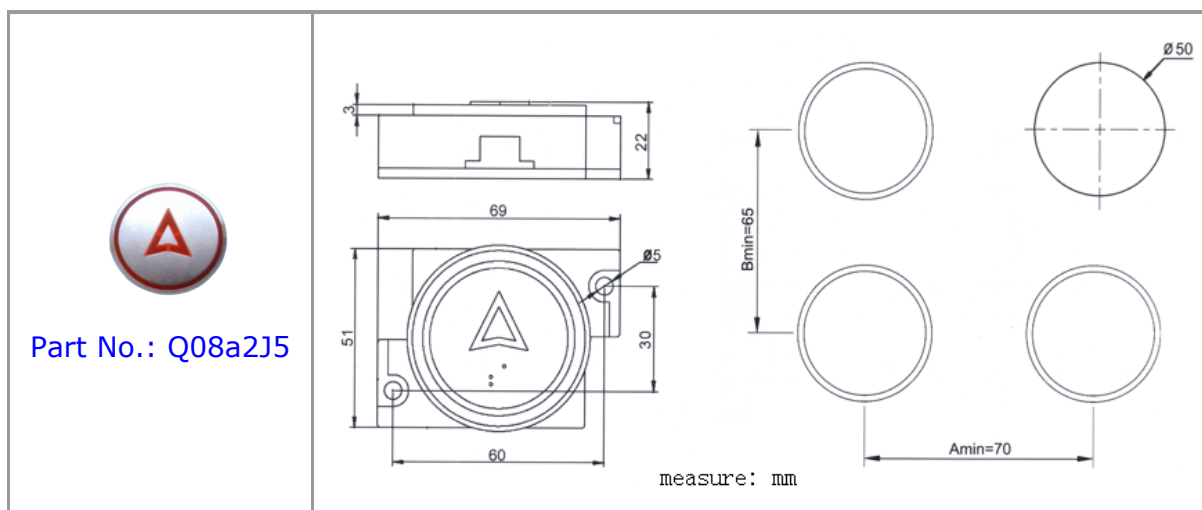
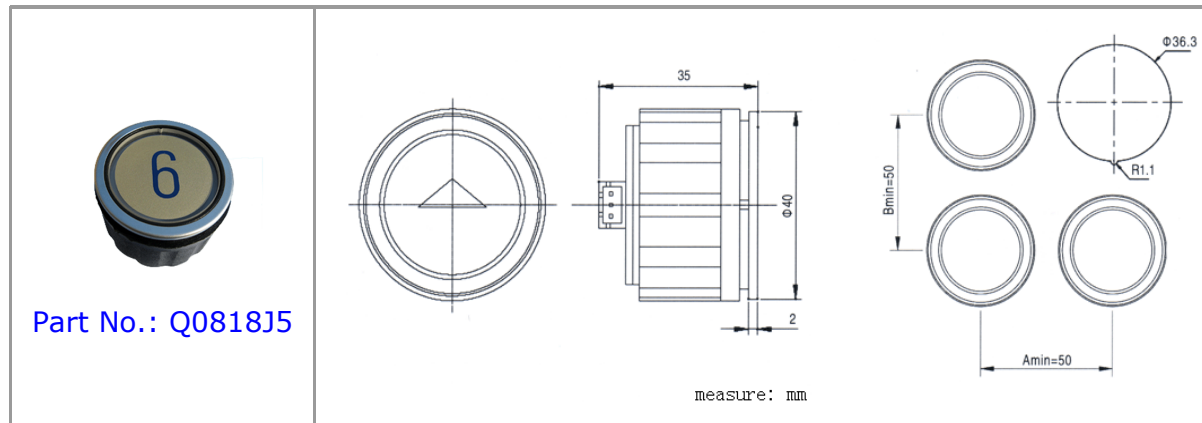
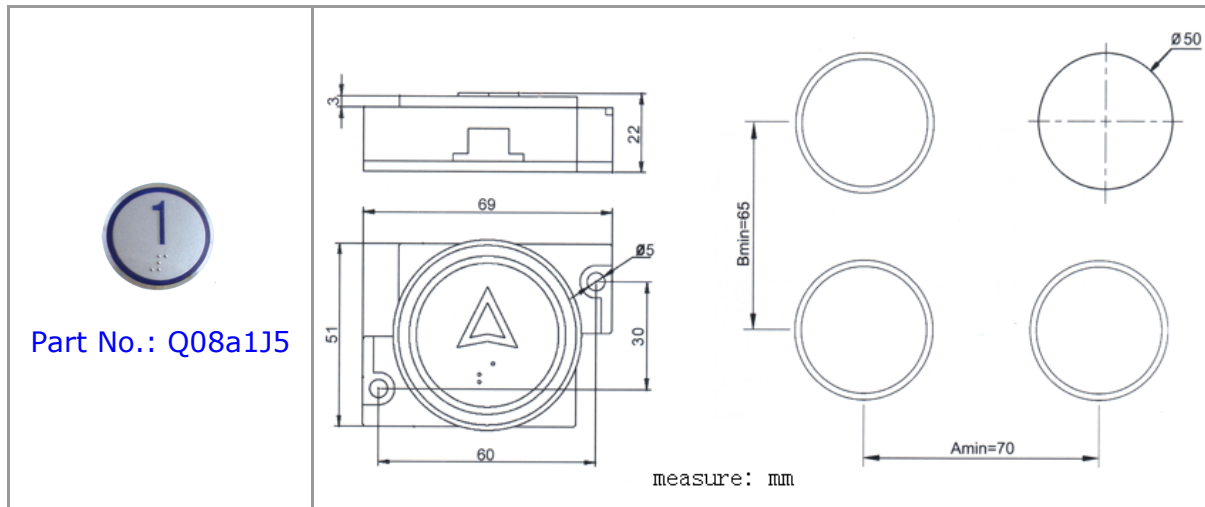


measure: mm



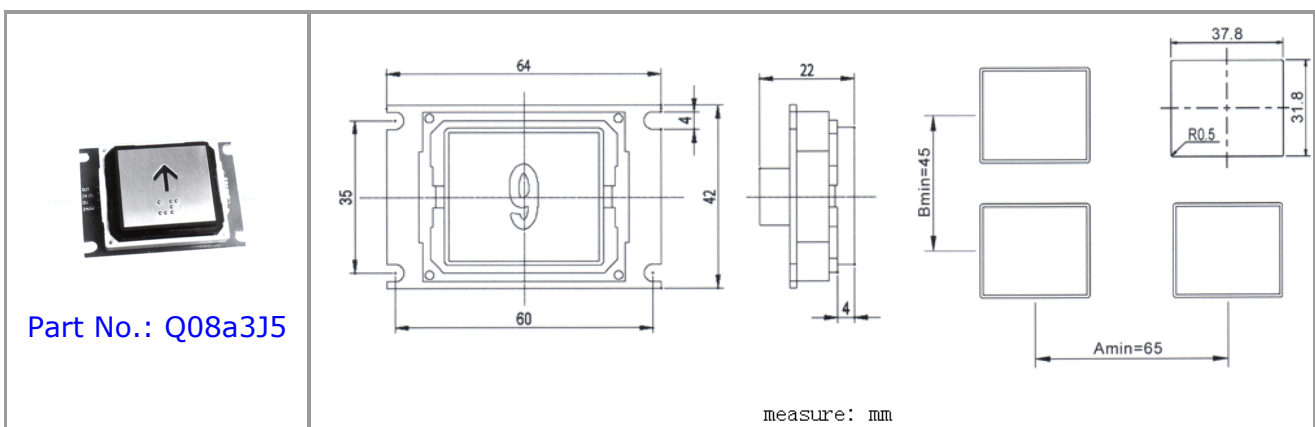
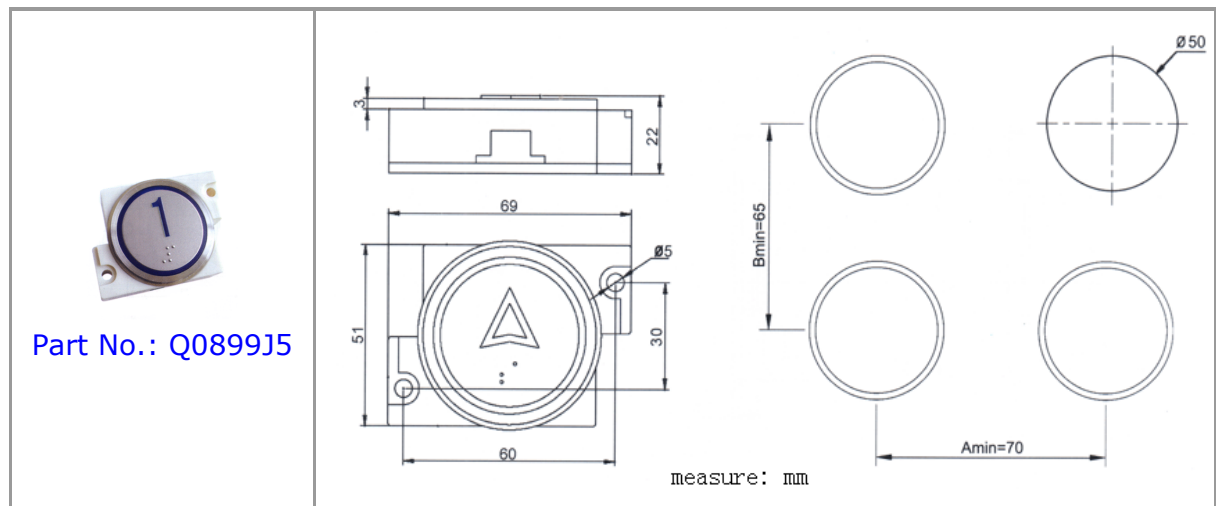
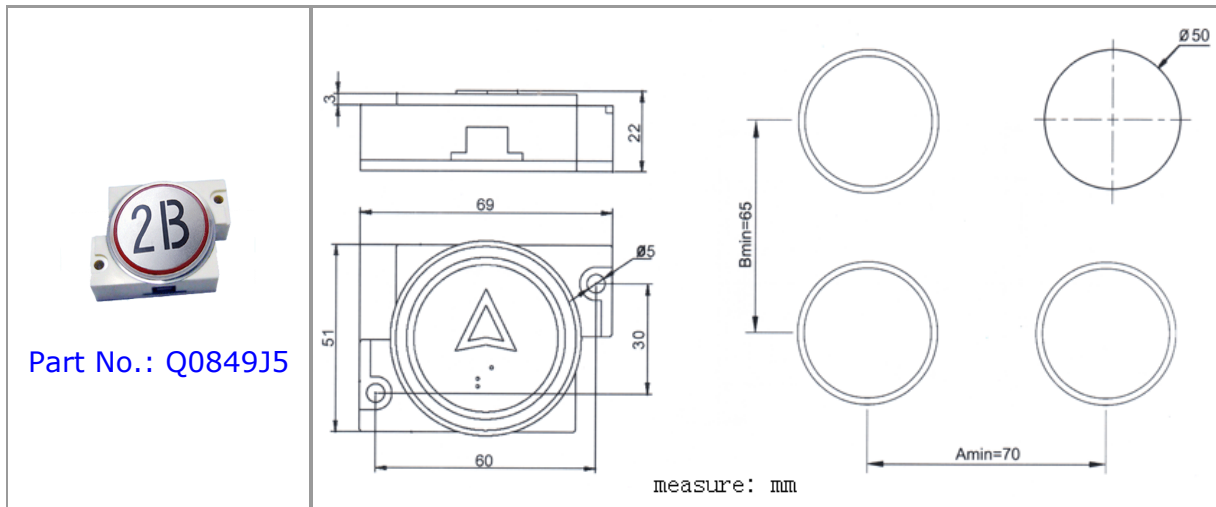
Buttons

25.4mm = 1inch  
mm — millimeter



Buttons

25.4mm = 1inch  
mm — millimeter



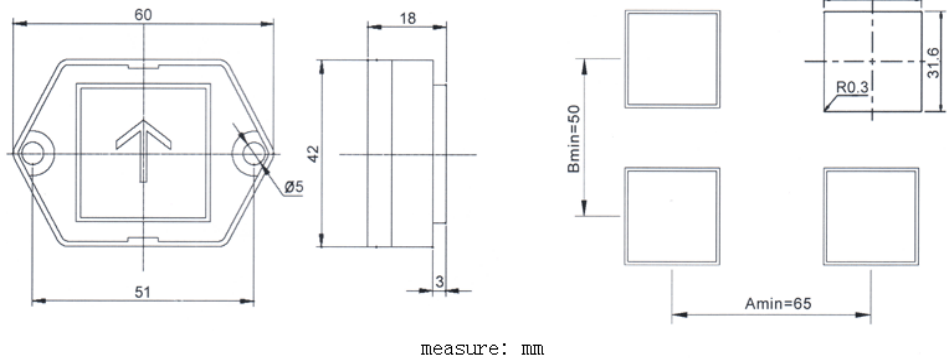
Buttons

25.4mm = 1inch  
mm — millimeter

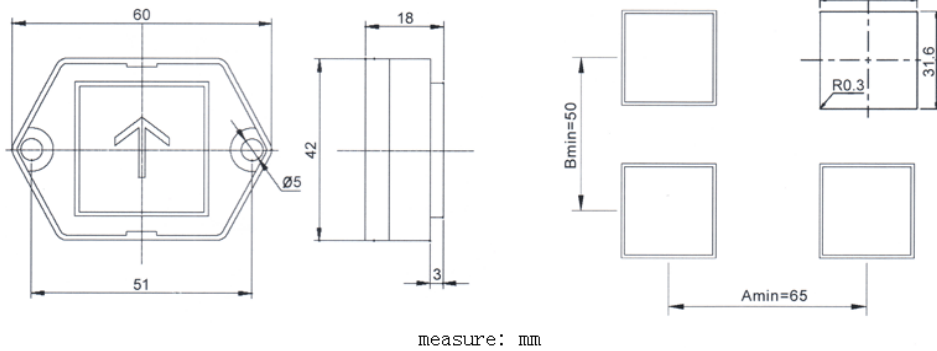




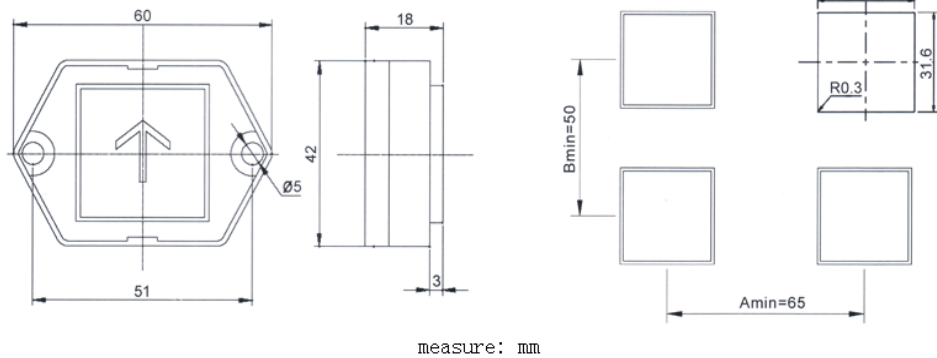
Part No.: Q08C7J5



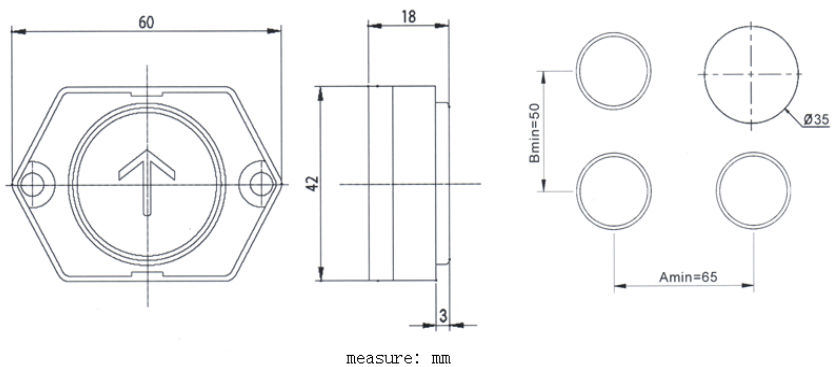
Part No.: Q08C8J5



Part No.: Q0837J5


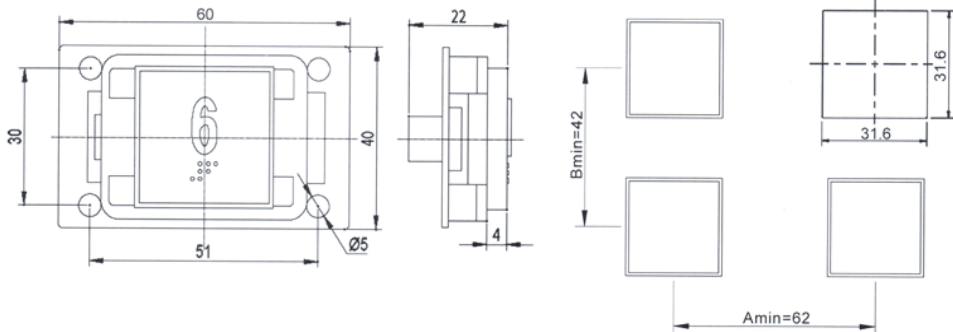


Part No.: Q0838J5



Buttons

25.4mm = 1inch  
mm — millimeter

|  |   |
|--|---|
|  <p>Part No.: Q08a4J5</p> |  <p>measure: mm</p> |
|--|---|

Buttons

25.4mm = 1inch  
mm — millimeter

|  |  |  |   |  |
|--|--|--|---|--|
| <br>Q08C5J5  | <br>Q08a5J5  | <br>Q08C6J5  | <br>Q0840J5  | <br>Q0839J5  |
| <br>Q0841J5 | <br>Q0842J5 | <br>Q0803J5 | <br>Q0843J5 | <br>Q08C3J5 |
| <br>Q0846J5 | <br>Q0845J5 | <br>Q0844J5 | <br>Q08C4J5 | <br>Q0847J5 |
| <br>Q0852J5 | <br>Q0851J5 | <br>Q0850J5 | <br>Q0848J5 | <br>Q08C2J5 |

|   |   |   |  |   |
|---|---|---|--|---|
|  |  |  |  |  |
| Q0856J5   | Q08b8J5   | Q08a6J5   | Q0853J5  | Q0854J5   |
|  |  |  |  |  |
| Q08b0J5   | Q08a7J5   | Q08a0J5   | Q08a9J5  | Q0895J5   |

|   |   |   |  |   |
|---|---|---|--|---|
|   |   |   |   |   |
| Q0870J5   | Q0868J5   | Q08b2J5   | Q08b7J5  | Q08b1J5   |
|  |  |  |  |  |
| Q0875J5   | Q0874J5   | Q0873J5   | Q0871J5  | Q0872J5   |

|   |   |   |   |   |
|---|---|---|---|---|
|  |  |  |   |  |
| Q0880J5   | Q0879J5   | Q0878J5   | Q0876J5   | Q0877J5   |
|  |  |  |  |  |
| Q0886J5   | Q0885J5   | Q0884J5   | Q0882J5   | Q0883J5   |

Buttons

25.4mm = 1inch  
mm — millimeter

|  |  |  |  |  |
|--|--|--|--|--|
| <br>Q0831J3 | <br>Q0890J5 | <br>Q0889J5 | <br>Q0887J5 | <br>Q0888J5 |
| <br>Q0824J3 | <br>Q0828J3 | <br>Q0834J3 | <br>Q0830J3  | <br>Q0833J3 |

|  |  |  |  |  |
|--|--|--|--|--|
| <br>Q0812J3  | <br>Q0814J3  | <br>Q0820J3  | <br>Q0822J3   | <br>Q0835J3  |
| <br>Q0807J3 | <br>Q0808J3 | <br>Q0810J3 | <br>Q0811J3 | <br>Q0809J3 |

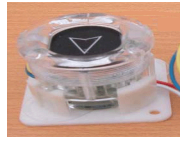
|  |  |  |  |  |
|--|--|--|--|--|
| <br>Q0821J3 | <br>Q0810N3 | <br>Q0803N3 | <br>Q0801N1 | <br>Q0801J3 |
| <br>Q0894J5 | <br>Q0893J5 | <br>Q0892J5 | <br>Q0803T2  | <br>Q0869J5 |

Buttons

25.4mm = 1inch  
mm — millimeter



Q0881J5



Q0802T2



Q0896J5



Q0801T2



Part No.: Q0501T2  
RS5 electric part



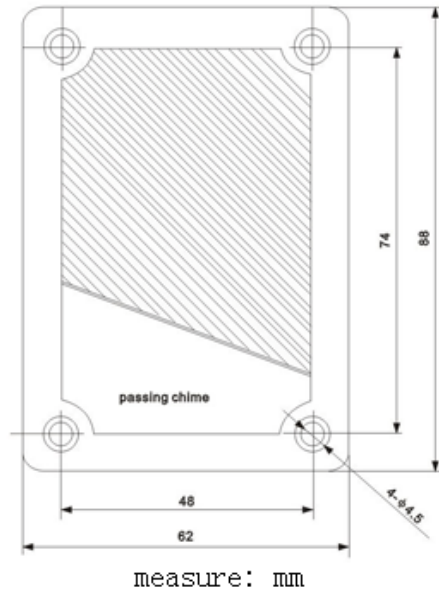
Part No.: Q0502T2  
RS14 electric part

Buttons

25.4mm = 1inch  
mm — millimeter



**Part No.: Q0601N4**  
Chime for any elevator



**Part No.: Q0602T2**  
Chime  
Electric current: 60mA  
DC voltage: 25-35V  
Volume: 78dB



**Part No.: Q0602N7**  
Rated voltage: DC6V,  
DC12V,DC24V



**Part No.: Q0601N7**  
Rated voltage: DC12V,  
DC24V,AC24V



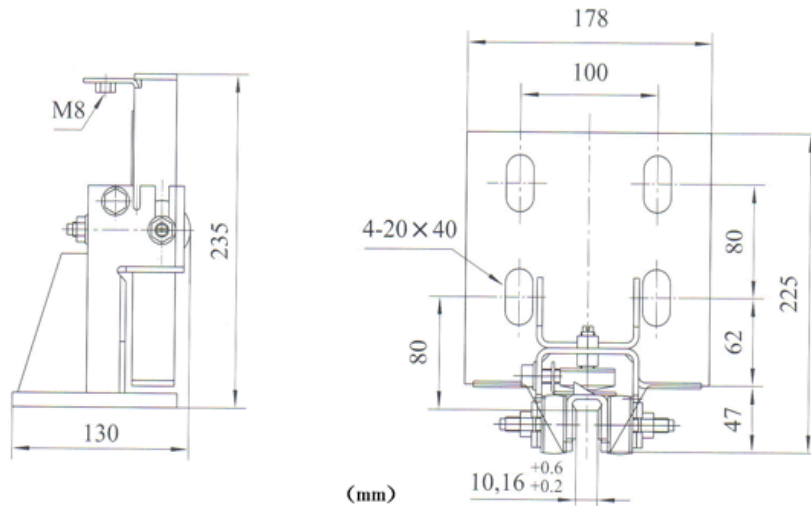
Part No.: S0008H2

Apply for: Schindler

Rated speed  $\leq 2.5$  m/s

Gross mass  $\leq 1250$  kg

Width of guide rails : 10,16 mm



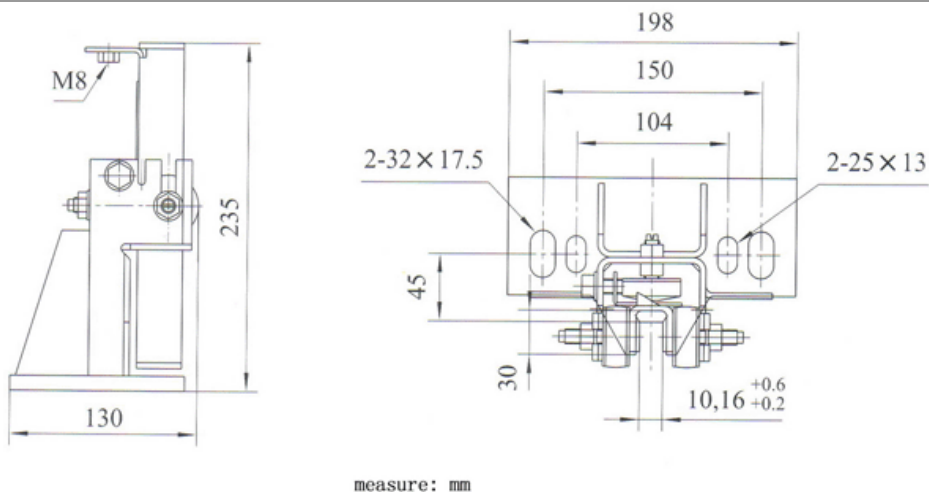
Part No.: S0001H2

Apply for: Schindler

Rated speed  $\leq 2.5$  m/s

Gross mass  $\leq 1250$  kg

Width of guide rails : 10,16 mm



measure: mm







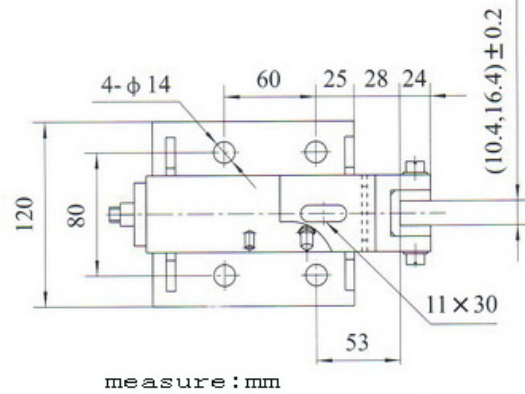
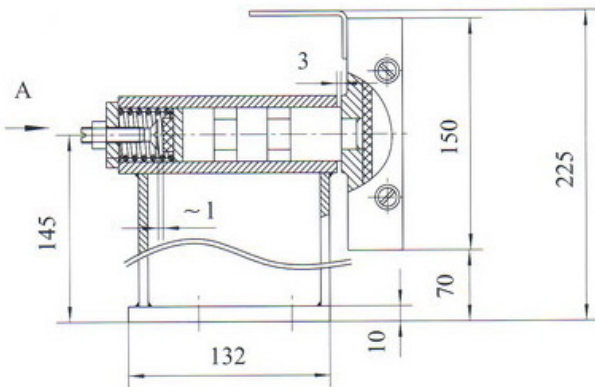
Part No.: S0005H2

Apply for: Schindler

Rated speed  $\leq 2$  m/s

Allowable gross mass  $\leq 2000$  kg

Width of guide rails : 10,16 mm



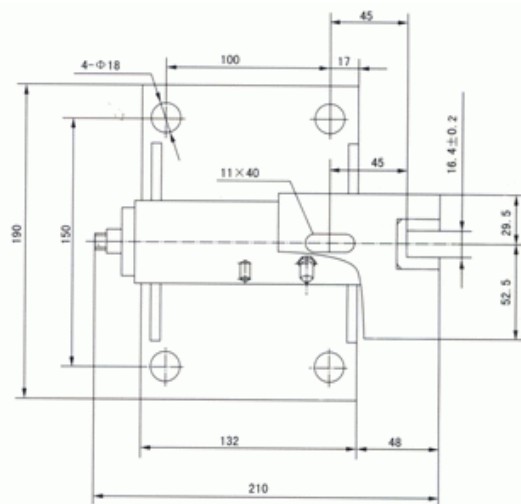
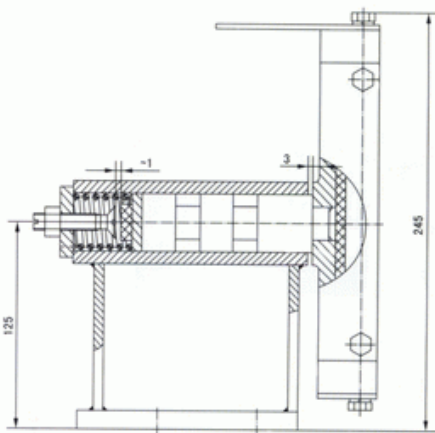
Part No.: S0006H2

Apply for: Schindler

Rated speed  $\leq 2$  m/s

Allowable gross mass  $\leq 2000$  kg

Width of guide rails : 16 mm



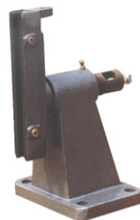
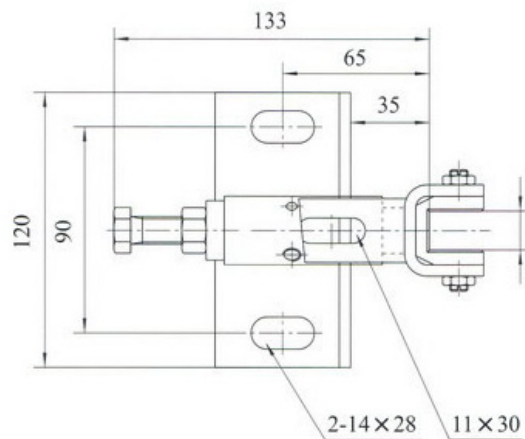
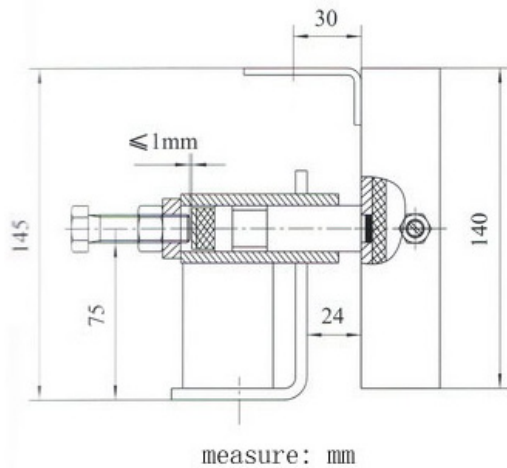


Part No.: S0007H2

Apply for: **Schindler**  
for counter weight

Rated speed  $\leq 2$  m/s

Width of guide rails : 10,4,16,4,17 mm

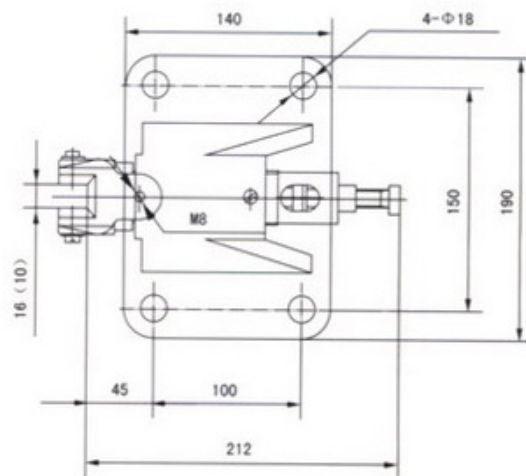
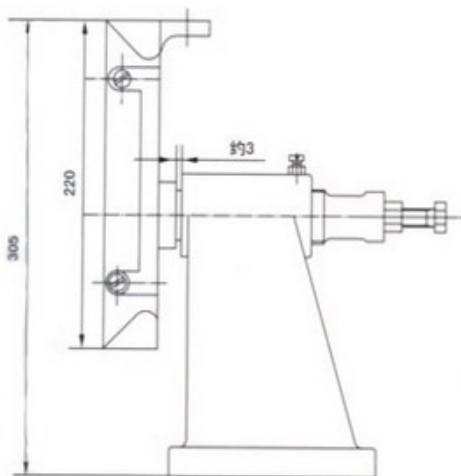


Part No.: S0003H2

Apply for: **Schindler**

Rated speed  $\leq 2.5$  m/s

Width of guide rails : 10,16 mm



Guide Shoes

25.4mm = 1 inch  
mm — millimeter

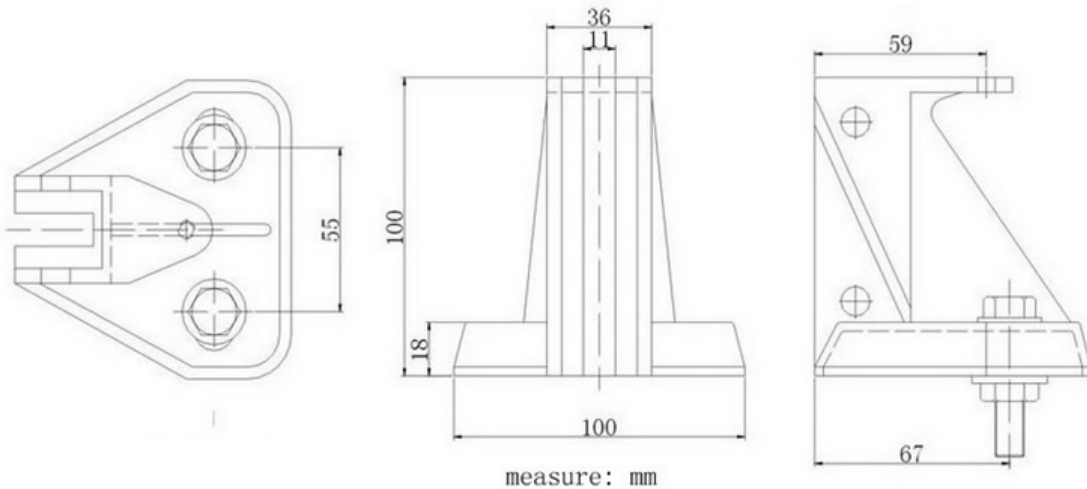


Part No.: S0001N1

Apply for: Schindler

Rated speed  $\leq 1.6$  m/s

Width of guide rails : 10,16 mm



Guide Shoes

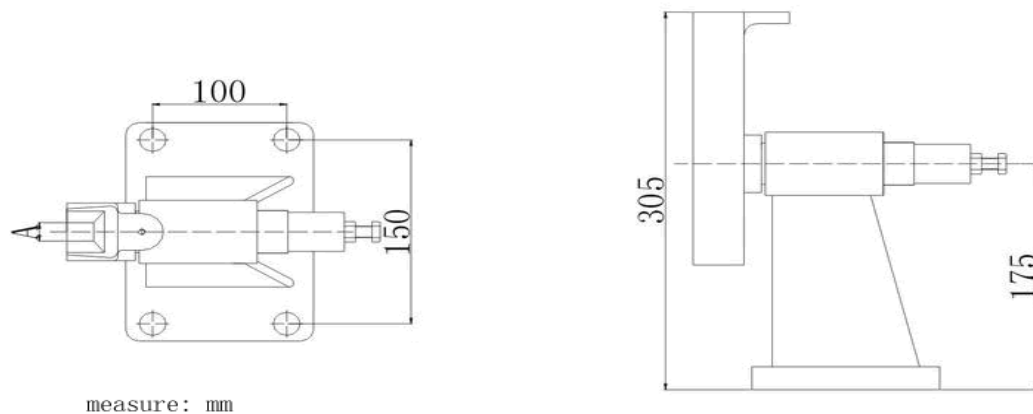
25.4mm = 1 inch  
mm — millimeter



Part No.: S0002N1

Apply for: Schindler

Width of guide rails : 10,16 mm



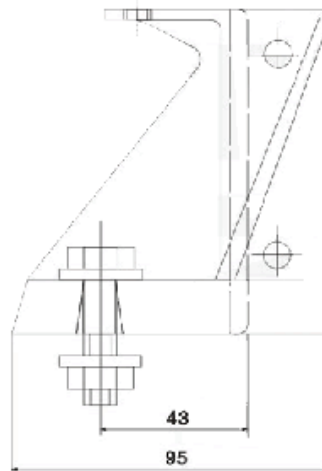
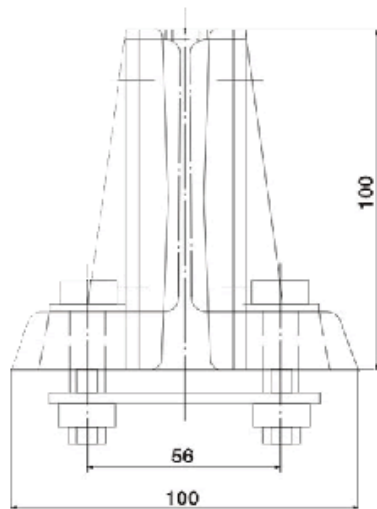


Part No.: S0001N4

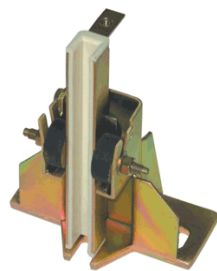
Apply for: Schindler

Rated speed  $\leq 1.6$  m/s

Width of guide rails : 5,10,16 mm



measure: mm

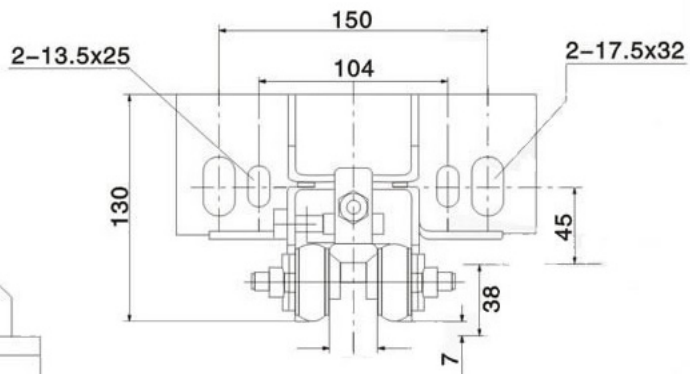
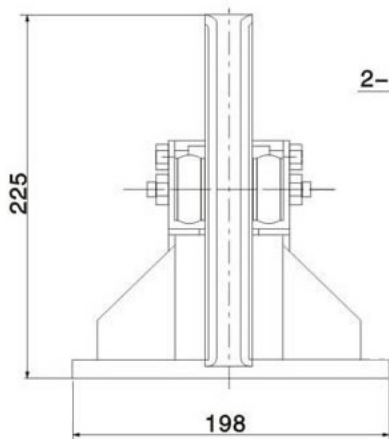


Part No.: S0002N4

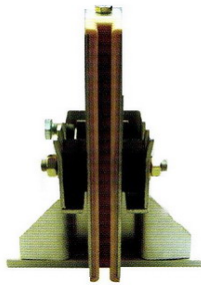
Apply for: Schindler

Rated speed  $\leq 2.5$  m/s

Width of guide rails : 10,16 mm

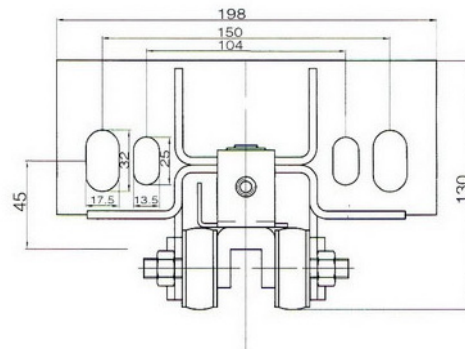
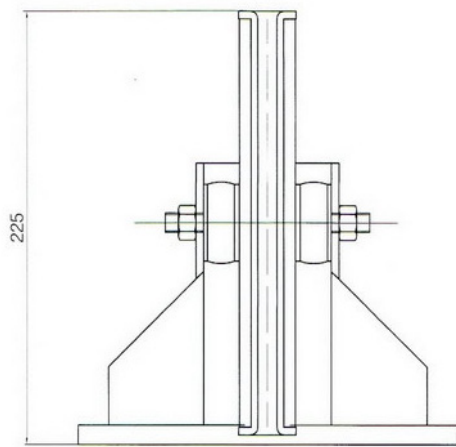


measure: mm

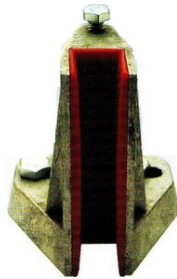


Part No.: S0001J3

Apply for: Schindler  
for passenger elevator

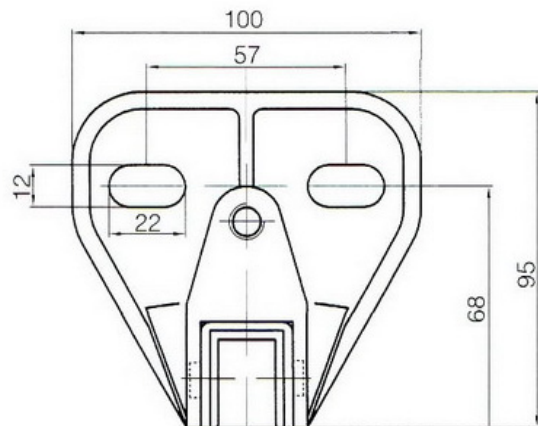
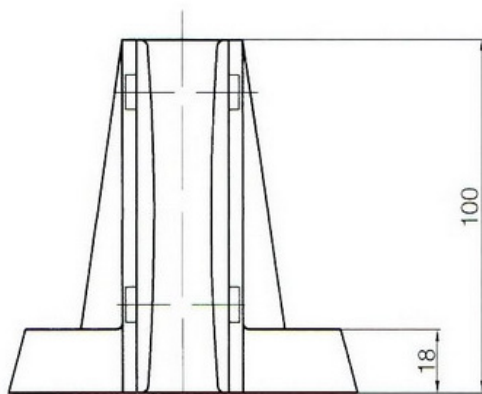


measure: mm



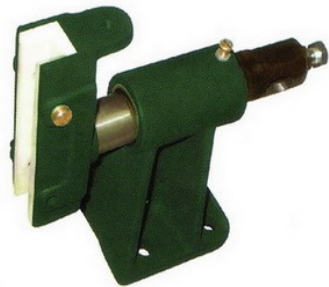
Part No.: S0002J3

Apply for: Schindler  
for passenger elevator



measure: mm

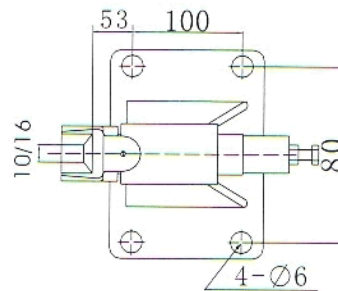
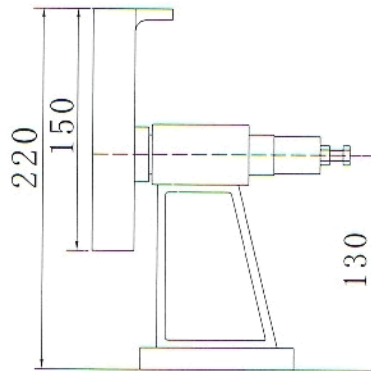
25.4mm = 1 inch  
mm — millimeter



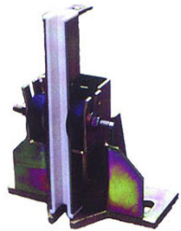
Part No.: S0001J1

Apply for: Schindler

Width of guide rails : 10,16 mm



measure: mm

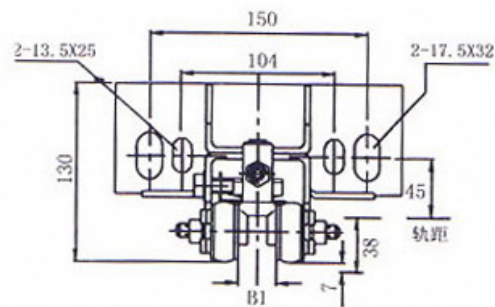
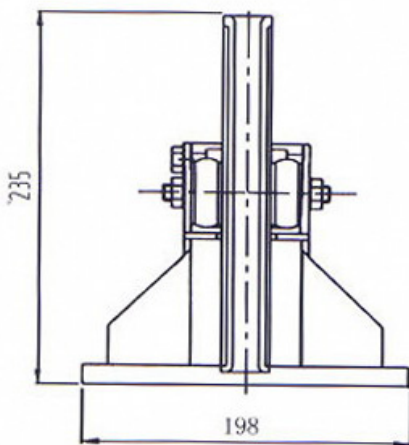


Part No.: S0002N6

Apply for: Schindler

Rated speed  $\leq 2.5$  m/s

Width of guide rails: 10,16 mm



mm

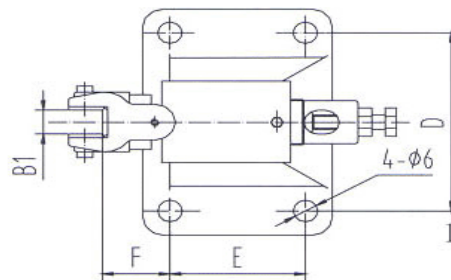
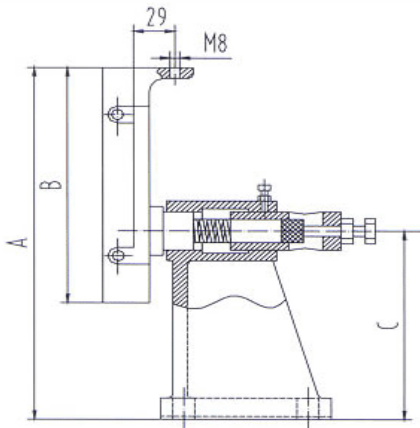


Part No.: S0003N6

Apply for: Schindler

Rated speed  $\leq 2.5$  m/s

Width of guide rails : 10,16 mm



measure : mm

| B1 <sup>o</sup> | A <sup>o</sup>   | B <sup>o</sup>   | C <sup>o</sup>   | D <sup>o</sup>  | E <sup>o</sup>  | F <sup>o</sup>  | G <sup>o</sup>   |
|-----------------|------------------|------------------|------------------|-----------------|-----------------|-----------------|------------------|
| 10              | 220 <sup>o</sup> | 150 <sup>o</sup> | 130 <sup>o</sup> | 80 <sup>o</sup> | 60 <sup>o</sup> | 53 <sup>o</sup> | 207 <sup>o</sup> |
| 16 <sup>o</sup> |                  |                  |                  |                 |                 |                 |                  |

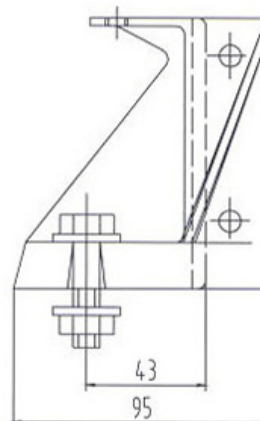
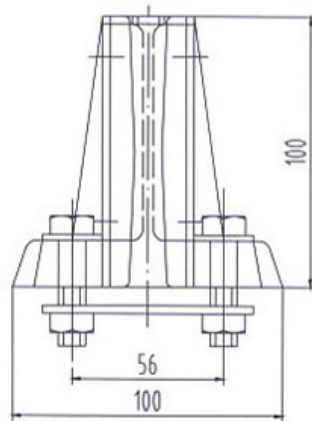


Part No.: S0001N6

Apply for: Schindler

Rated speed  $\leq 2$  m/s

Width of guide rails: 9,16 mm



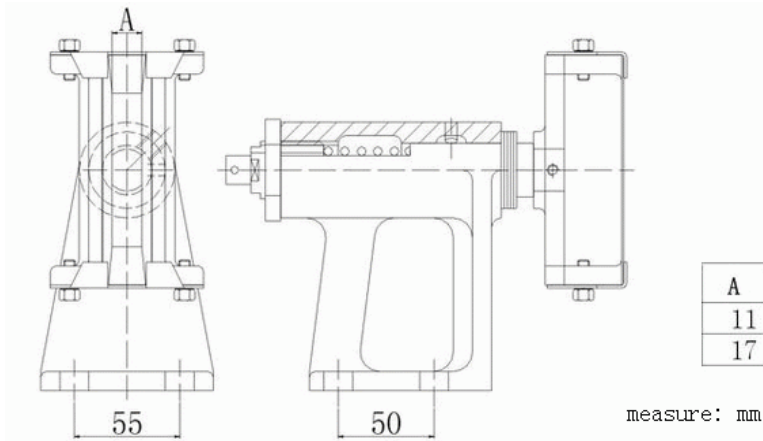
mm



Part No.: S0004N1

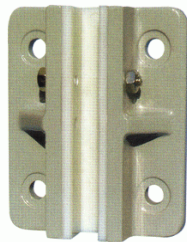
Apply for: **Schindler**

Width of guide rails : 10,16 mm



Guide Shoes

25.4mm = 1 inch  
mm — millimeter

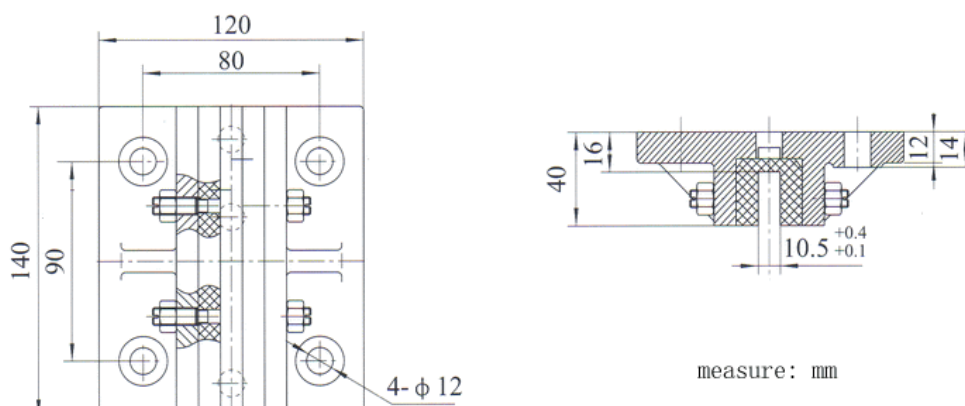


Part No.: H0001H2

Apply for: **Hitachi**  
for counter weight

Rated speed  $\leq 1.75$  m/s

Width of guide rails : 10 mm





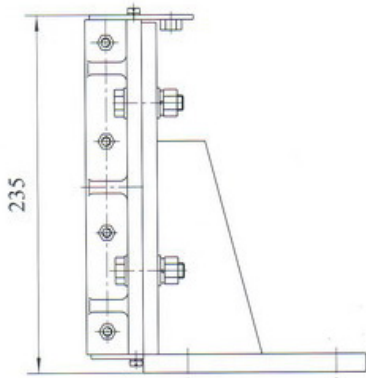


Part No.: H0002H2

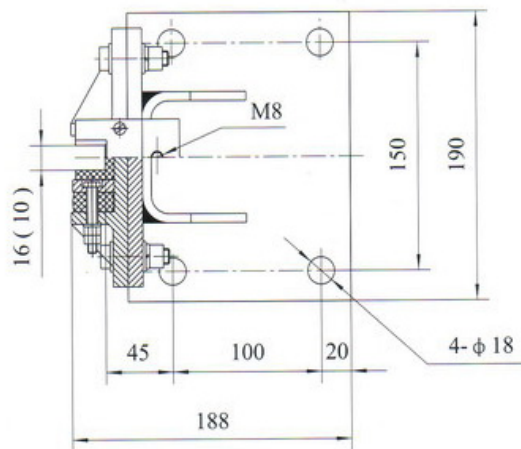
Apply for: Hitachi

Rated speed  $\leq 2$  m/s

Width of guide rails : 10,16 mm



measure: mm



Guide Shoes

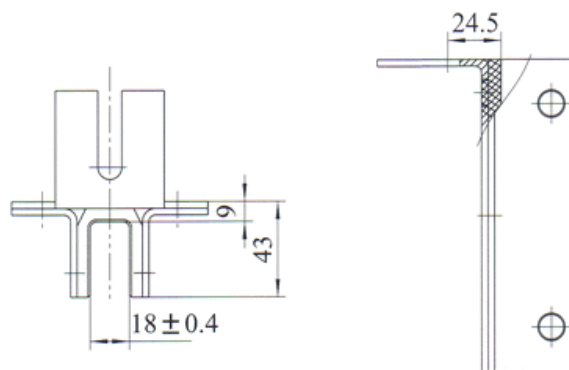
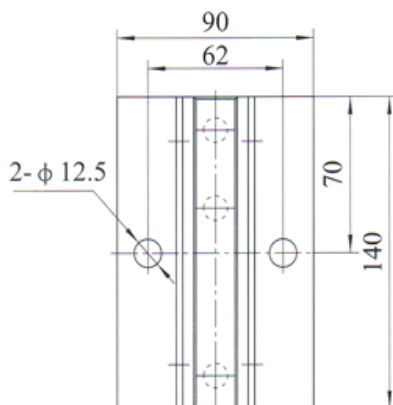
25.4mm = 1inch  
mm — millimeter



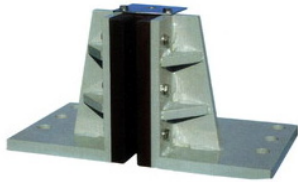
Part No.: H0004H2

Apply for: Hitachi  
for counter weight

Width of guide rails : 16.4 mm



measure: mm

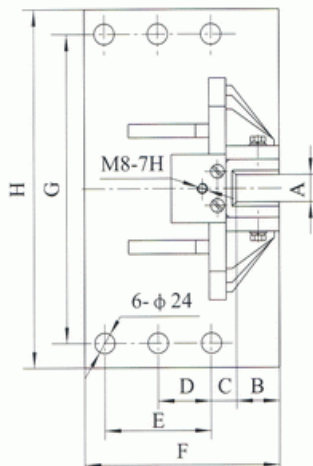


Part No.: H0003H2

Apply for: Hitachi

Rated speed  $\leq 0.63$  m/s

Width of guide rails : 31.75 mm



|    |    |    |      |     |     |     |     |    |     |
|----|----|----|------|-----|-----|-----|-----|----|-----|
| 32 | 51 | 30 | 63.5 | 127 | 232 | 362 | 420 | 20 | 350 |
| A  | B  | C  | D    | E   | F   | G   | H   | I  | J   |

measure: mm

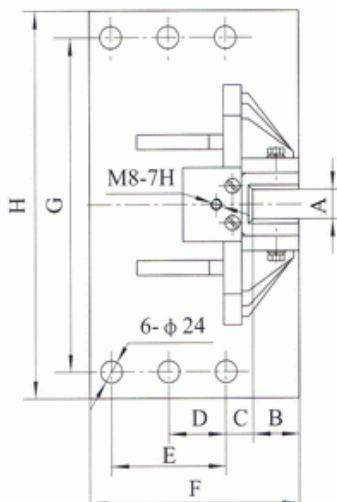


Part No.: H0005H2

Apply for: Hitachi

Rated speed  $\leq 0.63$  m/s

Width of guide rails : 19 mm



|      |    |    |    |     |     |     |     |    |     |
|------|----|----|----|-----|-----|-----|-----|----|-----|
| 19.3 | 51 | 30 | 66 | 132 | 240 | 392 | 452 | 20 | 240 |
| A    | B  | C  | D  | E   | F   | G   | H   | I  | J   |

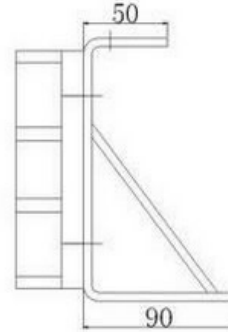
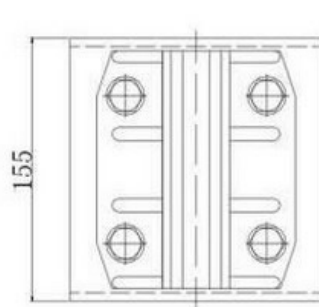
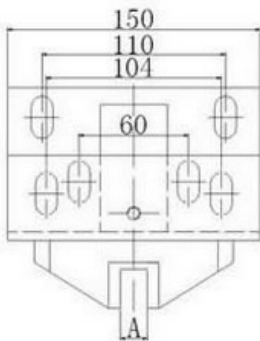
measure: mm



Part No.: H0001N1

Apply for: **Hitachi**

Width of guide rails : 10,16 mm



|    |
|----|
| A  |
| 11 |
| 17 |

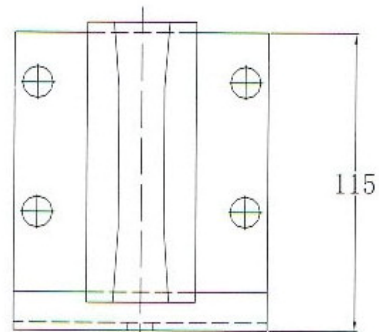
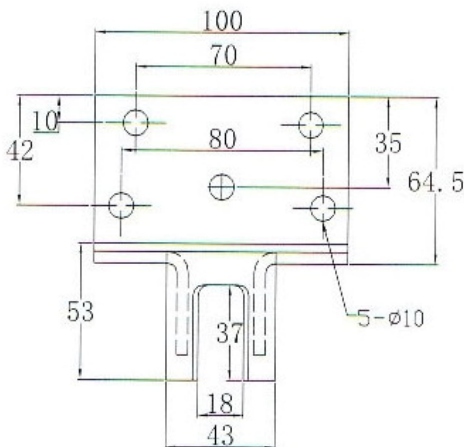
measure: mm



Part No.: H0002N1

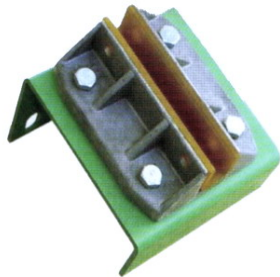
Apply for: **Hitachi**

Width of guide rails : 10,16 mm



measure: mm

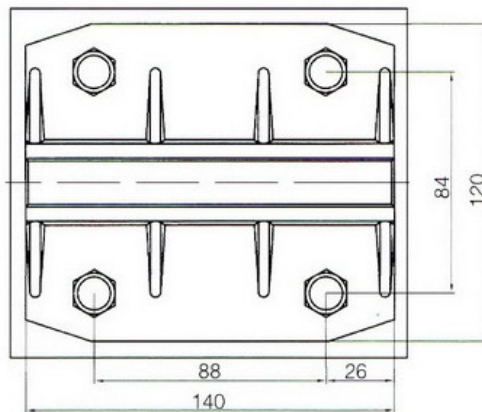
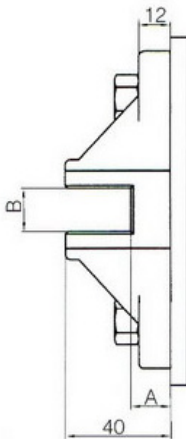




Part No.: H0001J3

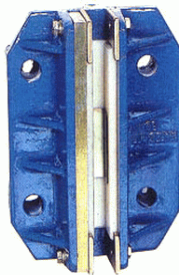
Apply for: **Hitachi**

Width of guide rails : 10, 16mm



| A  | B    |
|----|------|
| 16 | 10.3 |
| 16 | 16.5 |

measure: mm

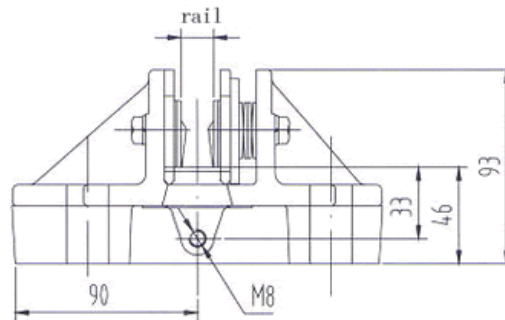
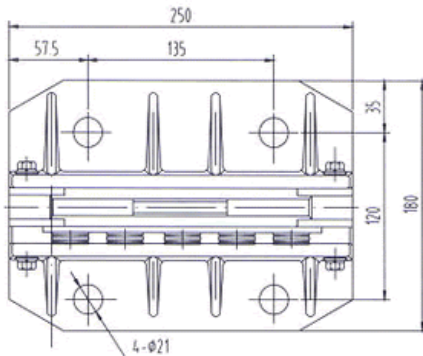


Part No.: H0001N6

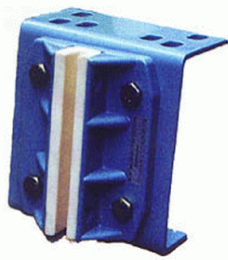
Apply for: **Hitachi**

Rated speed  $\leq 2$  m/s

Width of guide rails : 10,16 mm



measure: mm

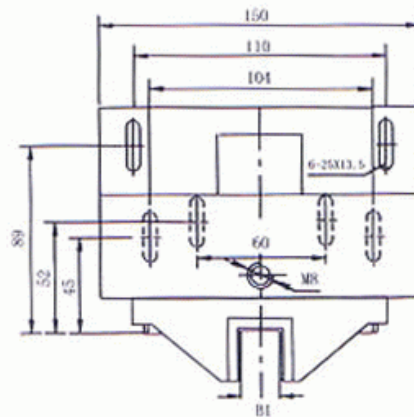
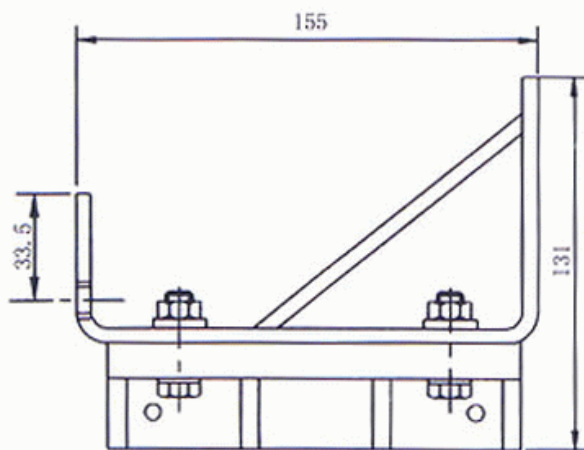


Part No.: H0003N6

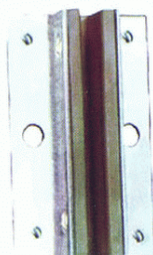
Apply for: Hitachi

Rated speed  $\leq 2.5$  m/s

Width of guide rails : 10,16 mm



measure : mm

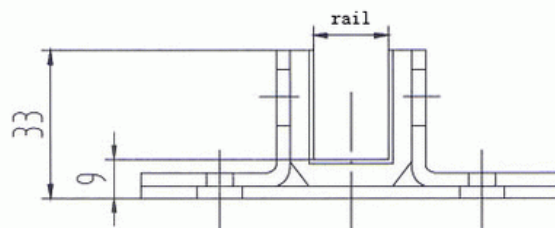
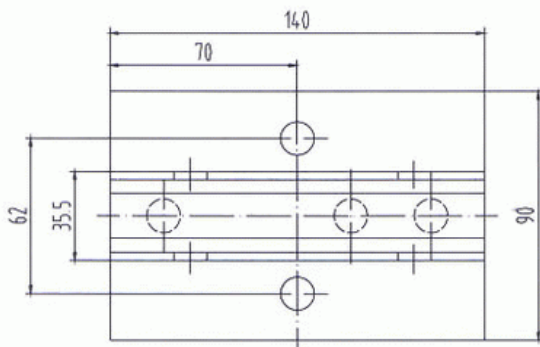


Part No.: H0002N6

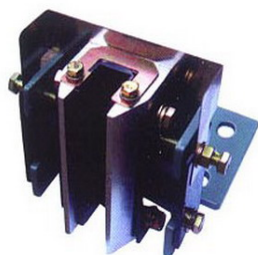
Apply for: Hitachi

Rated speed  $\leq 2.5$  m/s

Width of guide rails : 10,16 mm



measure: mm

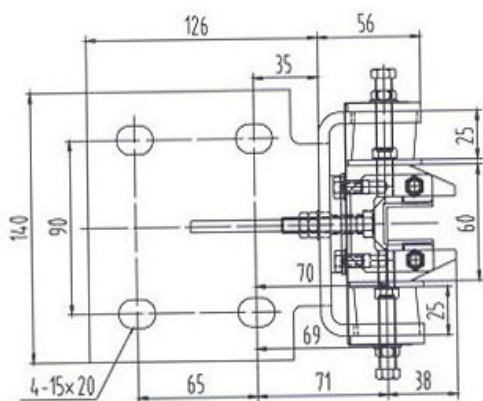


Part No.: H0004N6

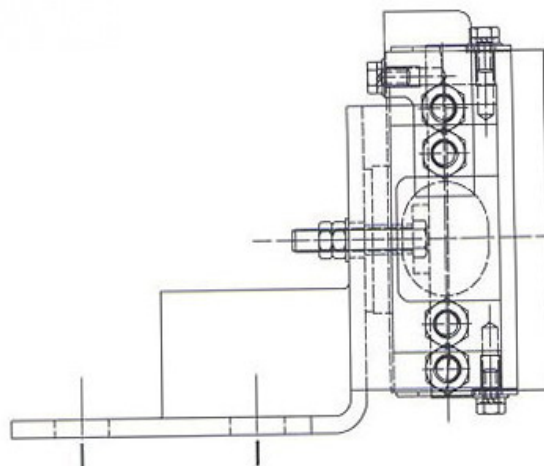
Apply for: Hitachi

Rated speed  $\leq 2.5$  m/s

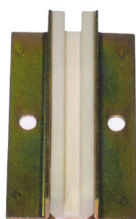
Width of guide rails : 16 mm



measure : mm



Guide Shoes

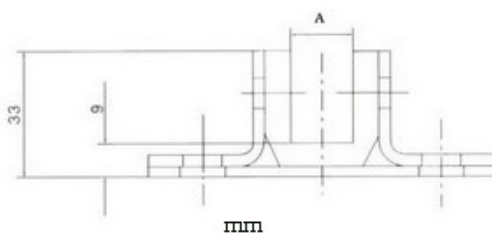
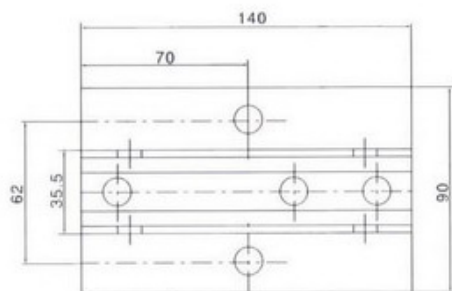


Part No.: H0002N4

Apply for: Hitachi

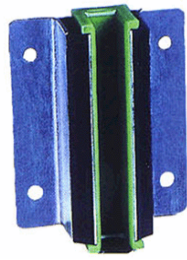
Rated speed  $\leq 5$  m/s

Width of guide rails(A) : 10,16 mm



mm

25.4mm = 1 inch  
mm — millimeter

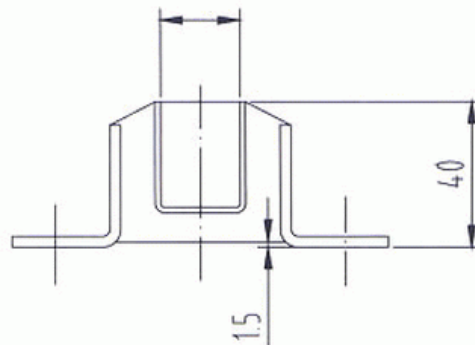
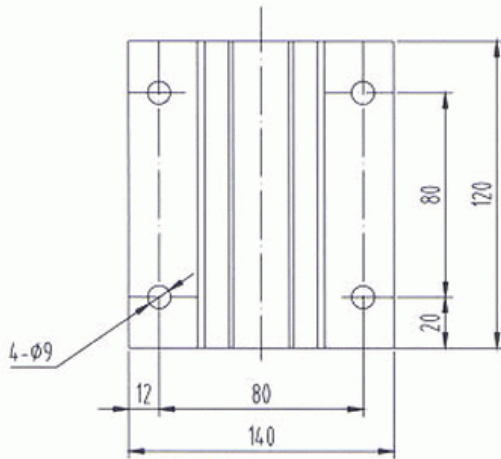


Part No.: Q0001N6

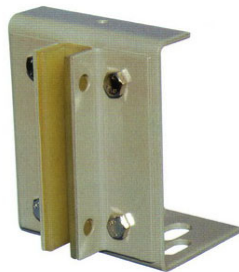
Apply for: Hitachi

Rated speed  $\leq 2$  m/s

Width of guide rails: 9,16 mm



measure: mm

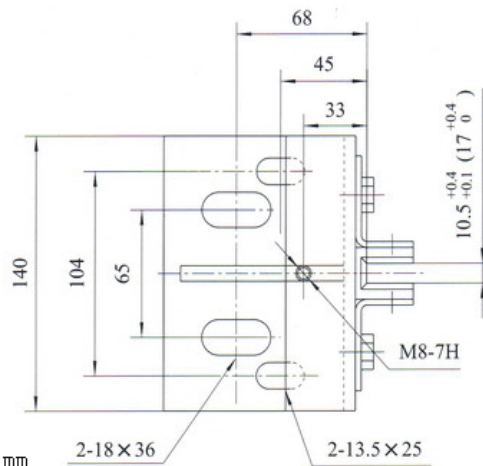
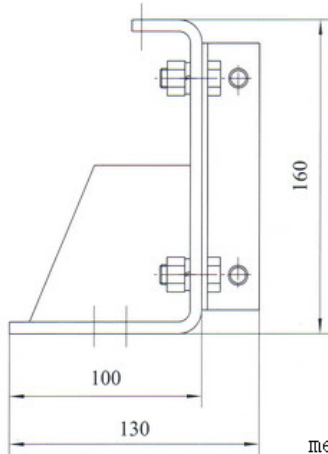


Part No.: Q0002H2

for counter weight

Rated speed  $\leq 1.75$  m/s

Width of guide rails : 16.4 mm



measure: mm

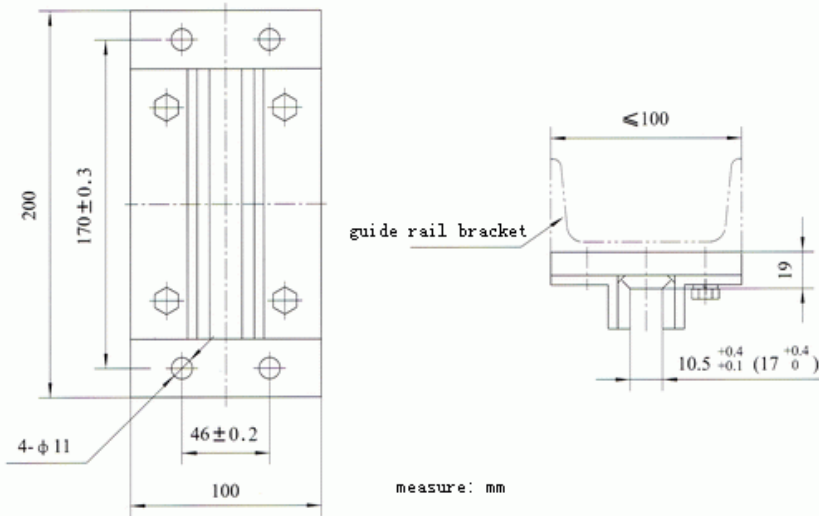
Guide Shoes

25.4mm = 1 inch  
mm — millimeter





Part No.: Q0003H2  
for counter weight  
Rated speed  $\leq 2.5$  m/s  
Width of guide rails : 10,16.4 mm

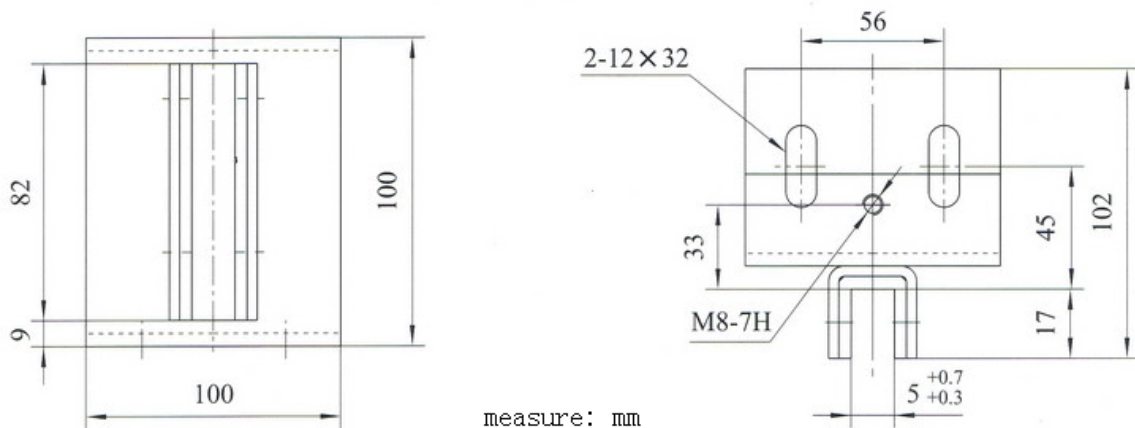


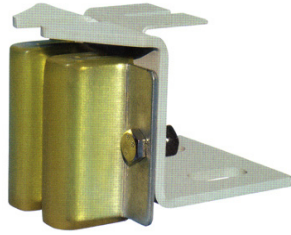
Guide Shoes

25.4mm = 1 inch  
mm — millimeter



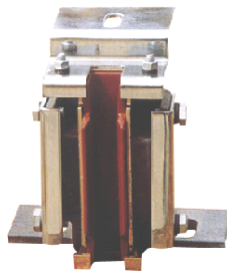
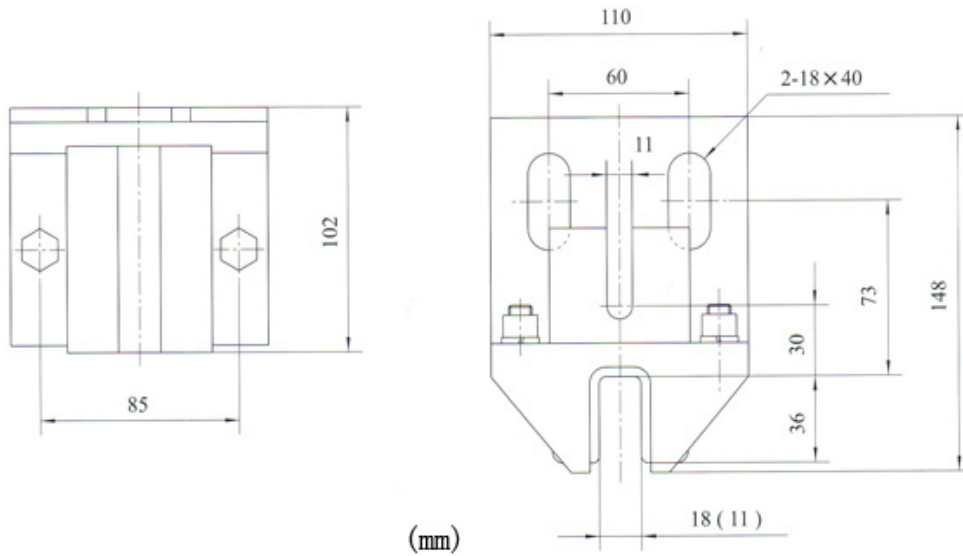
Part No.: Q0004H2  
for serve lift or counter weight  
Rated speed  $\leq 1.75$  m/s  
Width of guide rails : 5 mm





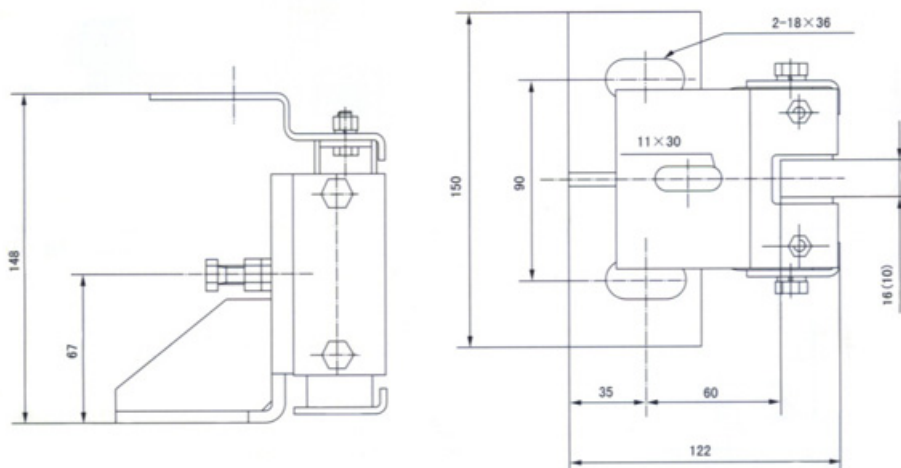
Part No.: M0003H2

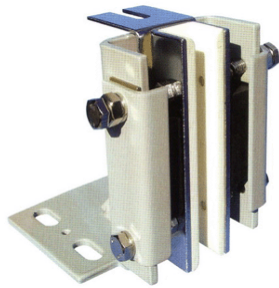
Apply for: **Mitsubishi**  
counter weight guide shoe  
Rated speed  $\leq 1.75\text{m/s}$   
Width of guide rails : 10.4, 10 mm



Part No.: M0004H2

Apply for: **Mitsubishi**  
Rated speed  $\leq 1.75\text{ m/s}$   
Gross mass  $\leq 1350\text{ kg}$   
Pressure on the front surface of guide rail:  $\leq 1000\text{N}$   
Pressure on the side surface of guide rail:  $\leq 650\text{N}$   
Width of guide rails : 10, 16 mm





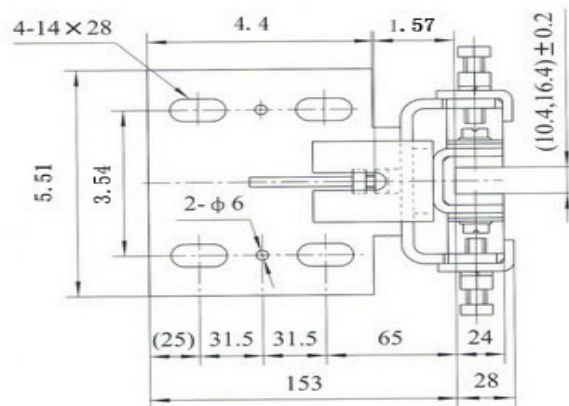
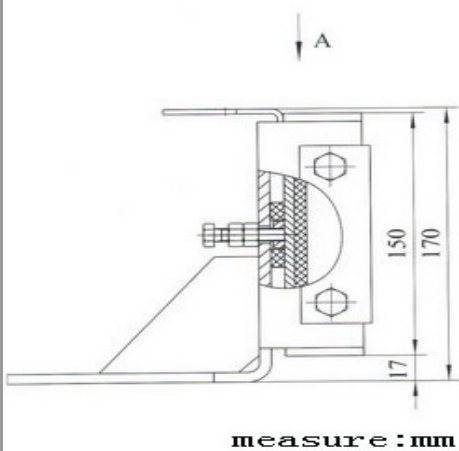
Part No.: M0001H2

Apply for: **Mitsubishi**

Rated speed  $\leq 2$  m/s

Gross mass  $\leq 2000$  kg

Width of guide rails : 10,16 mm



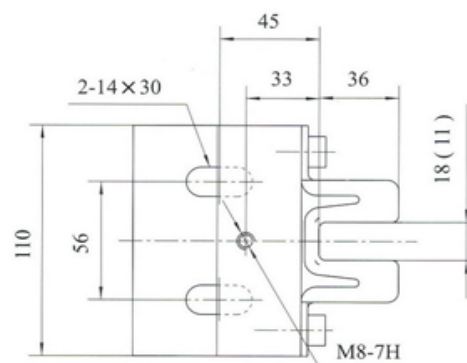
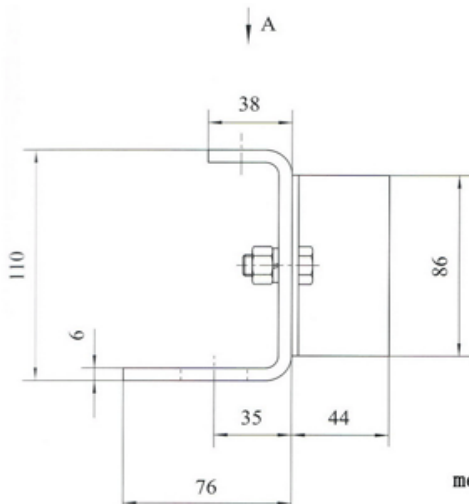
Part No.: M0002H2

Apply for: **Mitsubishi**

counter weight guide shoe

Rated speed  $\leq 1.75$ m/s

Width of guide rails : 10.4,10 mm



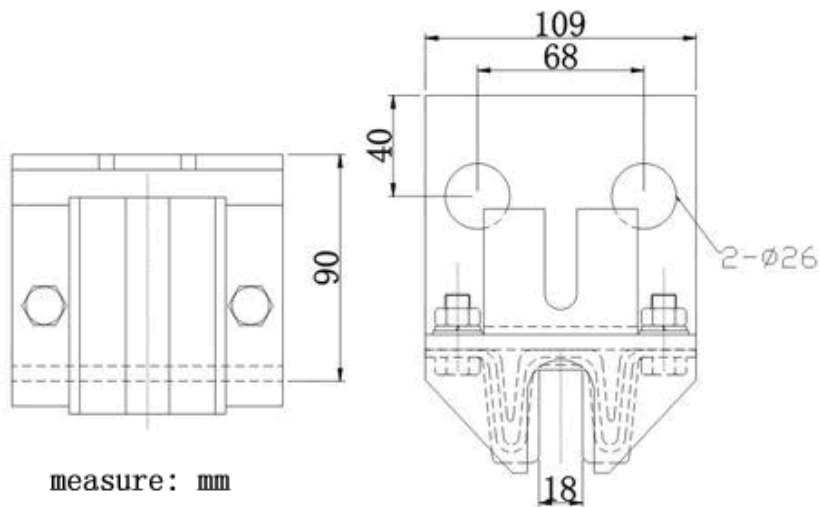


Part No.: M0001N1

Apply for: Mitsubishi counter weight guide shoe

Rated speed  $\leq 2$  m/s

Width of guide rails : 18 mm



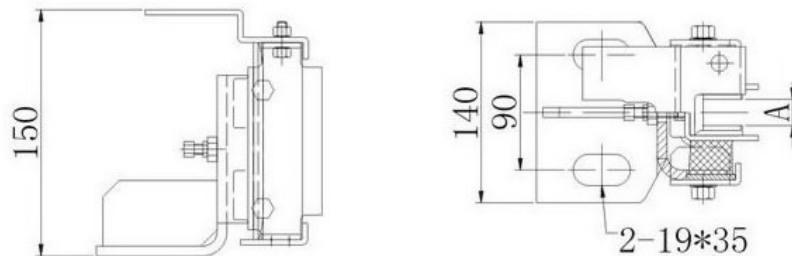
measure: mm



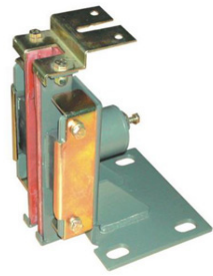
Part No.: M0002N1

Apply for: Mitsubishi for passenger elevator

Width of guide rails : 10,16 mm



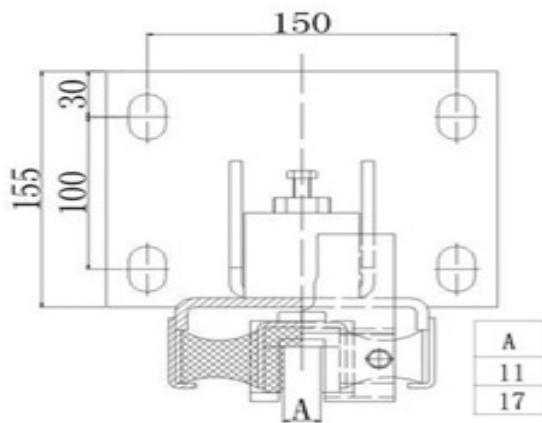
measure: mm



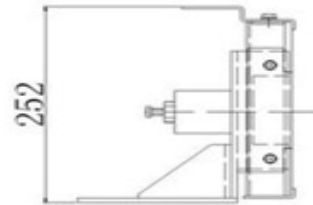
Part No.: M0003N1

Apply for: Mitsubishi

Width of guide rails : 10,16 mm

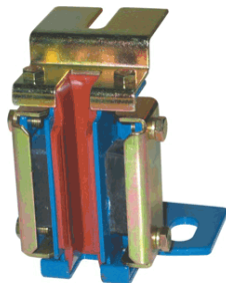


mm



Guide Shoes

25.4mm = 1 inch  
mm — millimeter



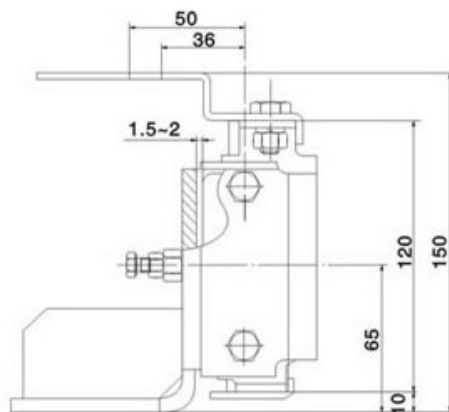
Part No.: M0003N4

Apply for: Mitsubishi

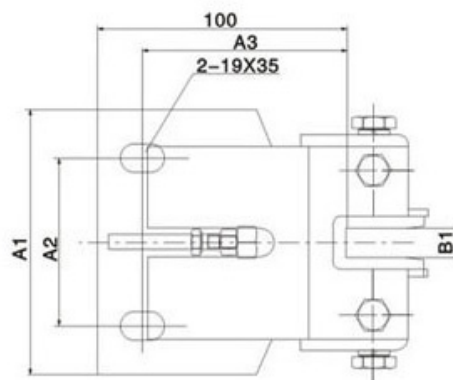
for passenger elevator

Rated speed  $\leq 2.5$  m/s

Width of guide rails : 10,16 mm



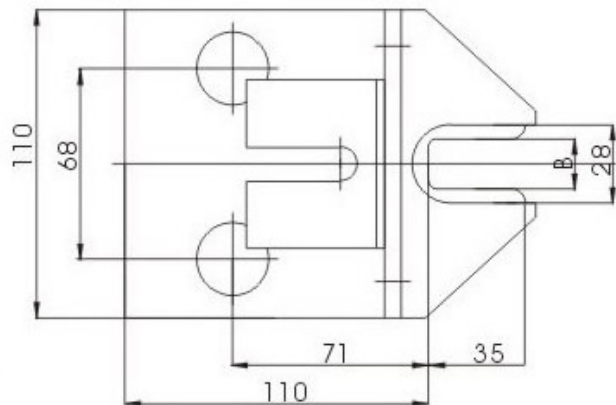
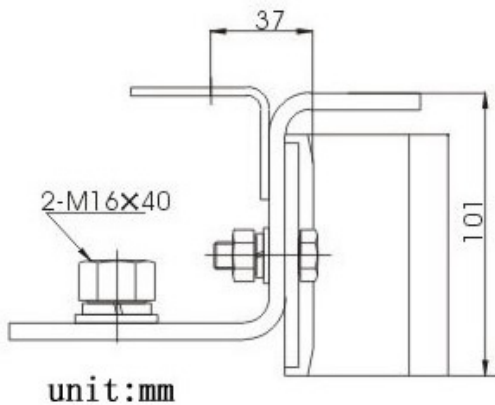
mm





Part No.: M0001N2

Apply for: **Mitsubishi**  
counter weight guide shoe  
for passenger elevator  
Width of guide rails : 12,18 mm

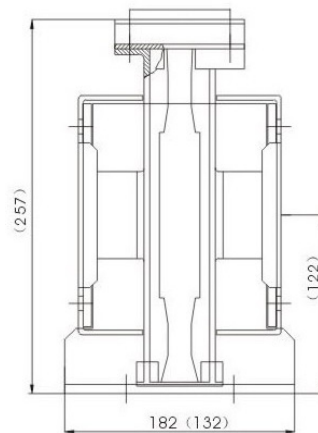
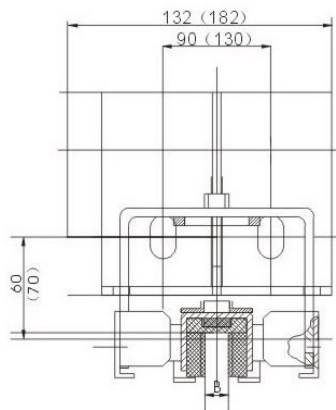


Guide Shoes



Part No.: M0002N2

Apply for: **Mitsubishi**  
for passenger elevator  
Width of guide rails : 10,16 mm

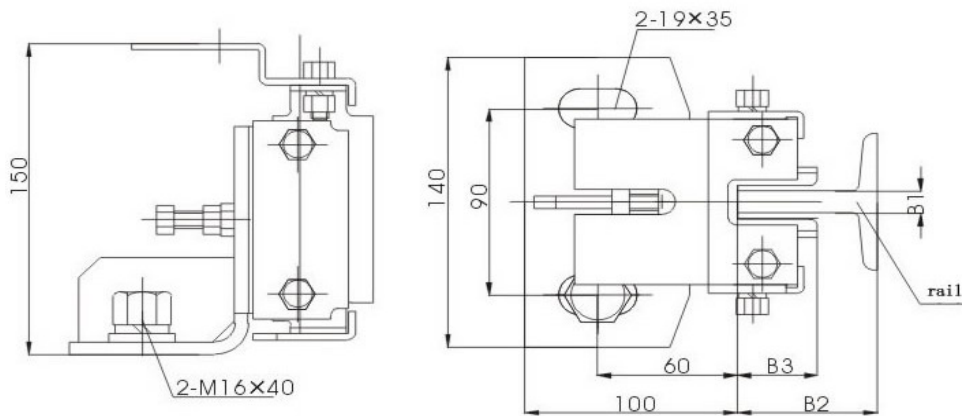


25.4mm = 1 inch  
mm — millimeter



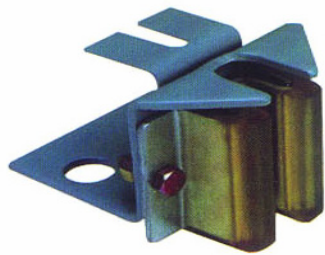
Part No.: M0003N2

Apply for: **Mitsubishi**  
for passenger and goods elevator



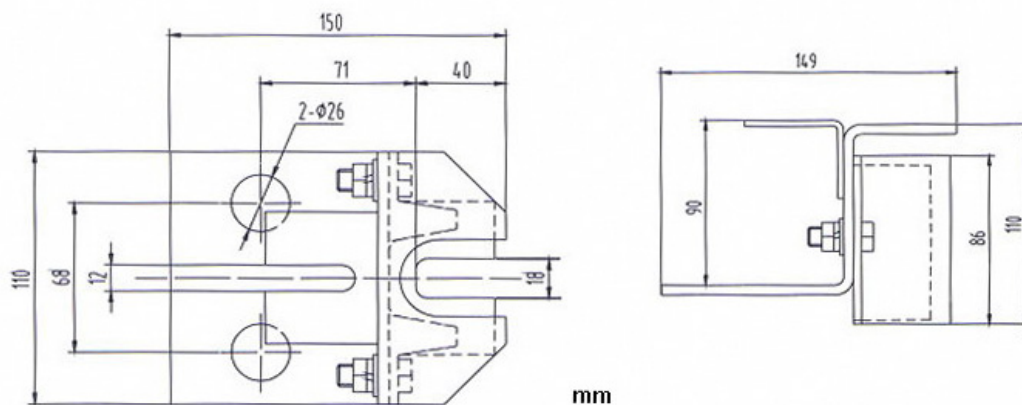
measure: mm

| rail | B1 | B2    | B3 |
|------|----|-------|----|
| 8kg  | 10 | 58    | 36 |
| 13kg | 16 | 62.25 | 36 |



Part No.: M0001N6

Apply for: **Mitsubishi**  
For counter weight  
Rated speed  $\leq 2$  m/s  
Width of guide rails : 18 mm



mm

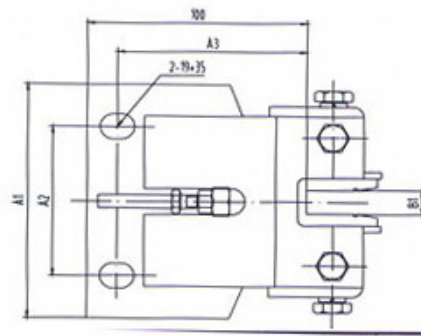
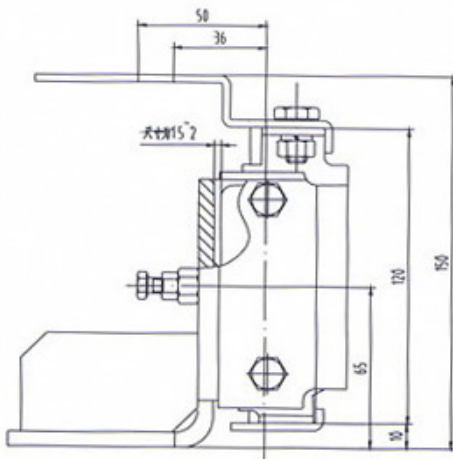


Part No.: M0003N6

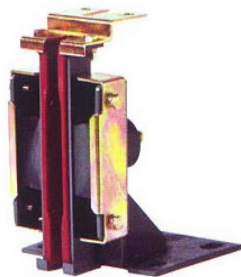
Apply for: Mitsubishi

Rated speed  $\leq 2\text{m/s}$

Width of guide rails : 10,16mm



mm



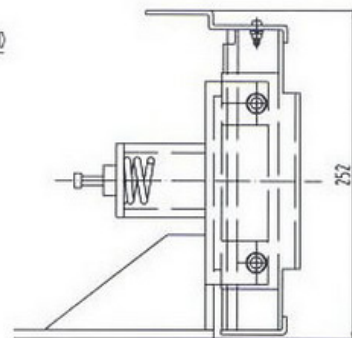
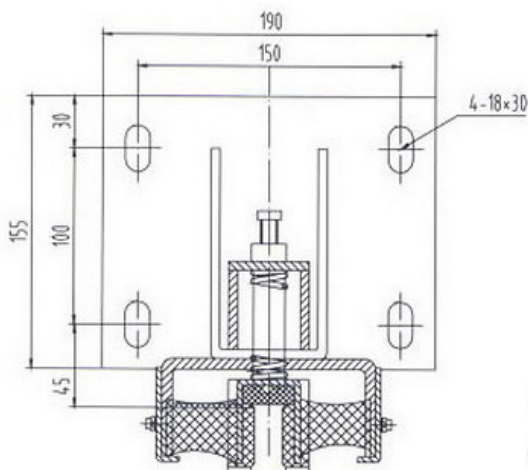
Part No.: M0004N6

Apply for: Mitsubishi

For counter weight

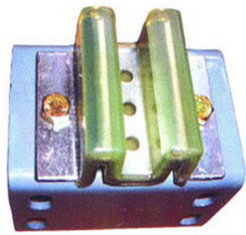
Rated speed  $\leq 2.5\text{m/s}$

Width of guide rails : 10,16mm



measure: mm





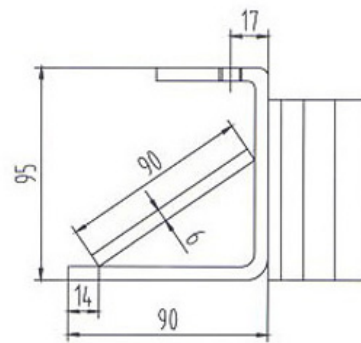
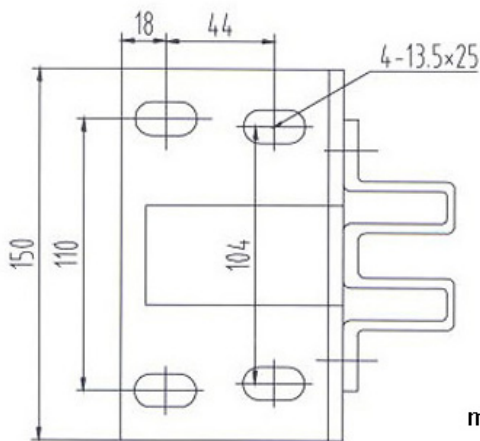
Part No.: M0002N6

Apply for: Mitsubishi

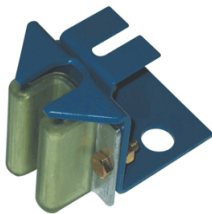
For counter weight

Rated speed  $\leq 2.5\text{m/s}$

Width of guide rails : 18 mm



mm

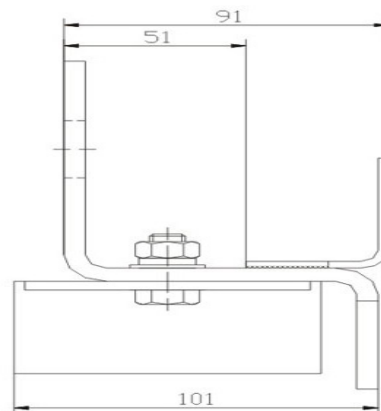
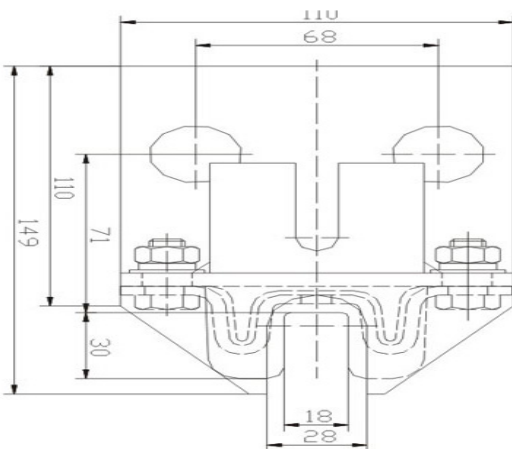


Part No.: M0001N4

Apply for: Mitsubishi

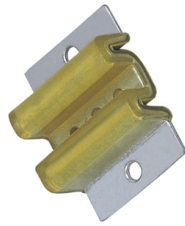
Rated speed  $\leq 2.5\text{ m/s}$

Width of guide rails(A) : 10,16 mm



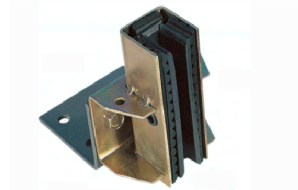
Guide Shoes

25.4mm = 1 inch  
mm — millimeter



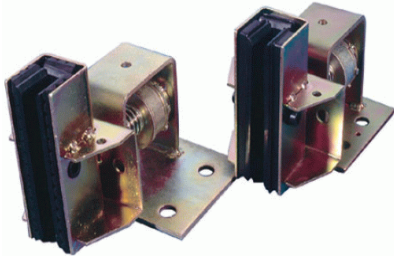
Part No.: M0002N4

Apply for: **Mitsubishi**  
for passenger elevator  
Rated speed  $\leq 2.5$  m/s  
Width of guide rails : 10,16 mm



Part No.: T0004S1

Apply for: **Otis**  
for counter weight of passenger  
elevator



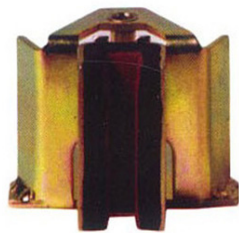
Part No.: T0001T1

Apply for: **Otis**  
for cab of passenger elevator



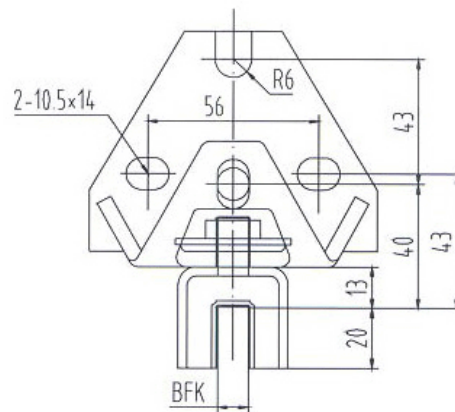
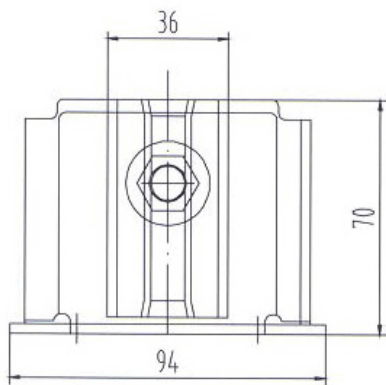
Part No.: T0005T1

Apply for: **Otis**  
rotary guide shoe  
for common use

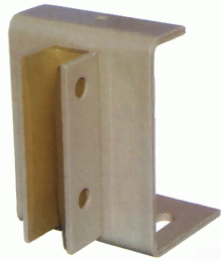


Part No.: Q0004N6

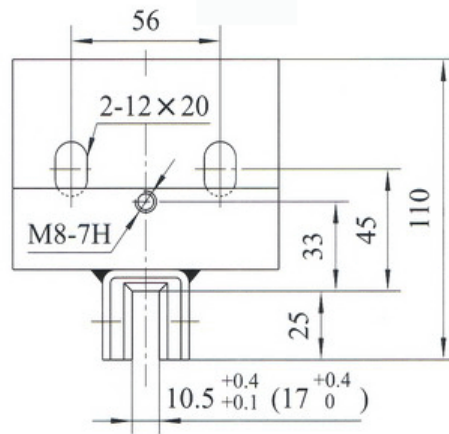
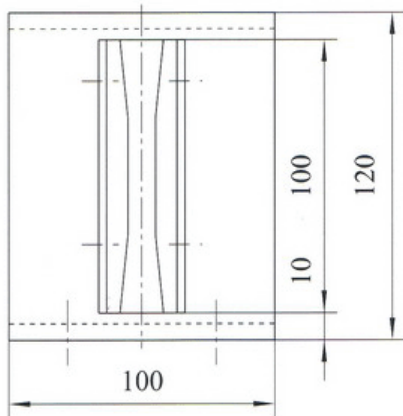
Apply for: **Thyssenocrupp**  
Rated speed  $\leq 2$  m/s  
Width of guide rails : 8,10,16 mm



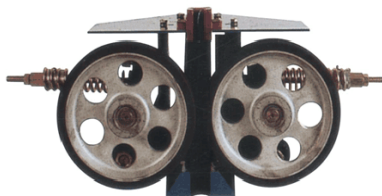
measure: mm



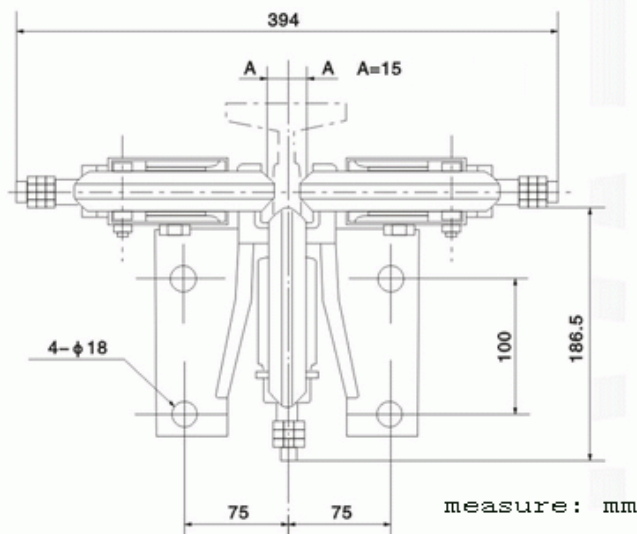
Part No.: Q0001H2  
for counter weight  
Rated speed  $\leq 1.75\text{m/s}$   
Width of guide rails : 10,16.4mm



measure: mm



Part No.: Q0001N4  
roller guide shoe  
Rated speed  $\leq 5\text{ m/s}$   
Width of guide rails : 8-20 mm



measure: mm

Guide Shoes

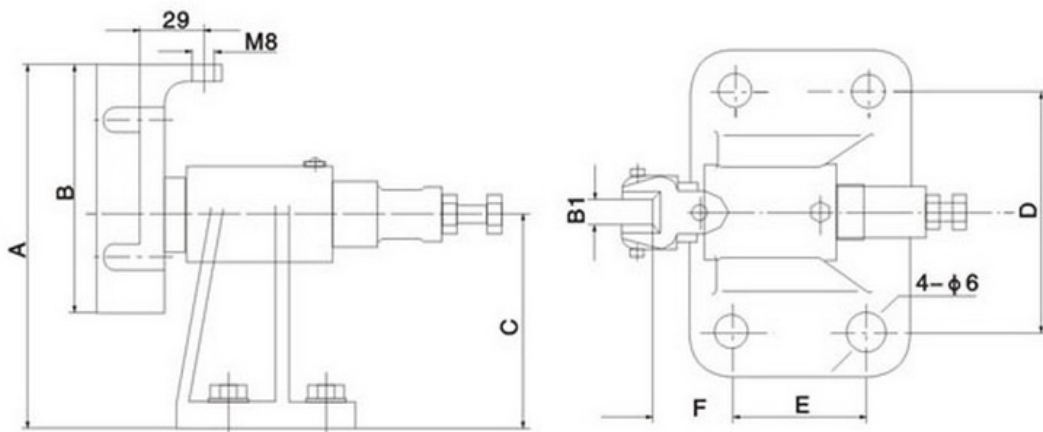
25.4mm = 1 inch  
mm — millimeter



Part No.: Q0003N4

Rated speed  $\leq 5$  m/s

Width of guide rails : 8-20 mm



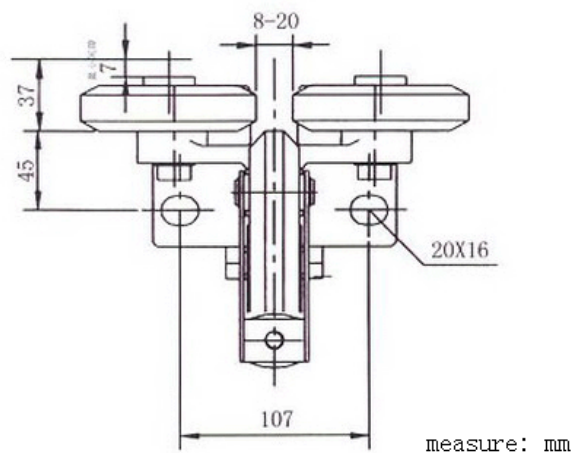
Part No.: Q0002N6

Apply for: high speed elevator

Roller guide shoe

Rated speed  $\leq 5$  m/s

Width of guide rails: 8-20 mm



Guide Shoes

25.4mm = 1 inch  
mm — millimeter



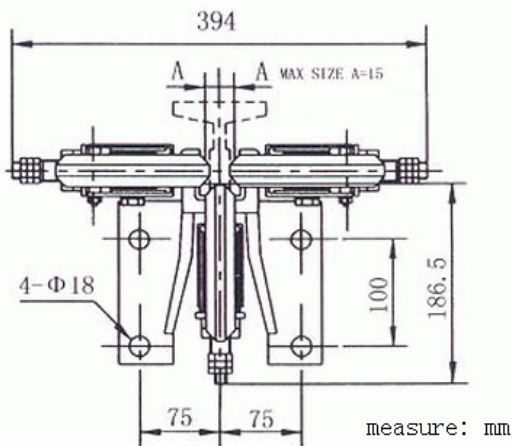
Part No.: Q0005N6

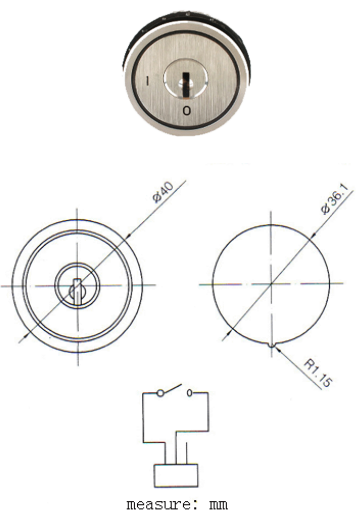
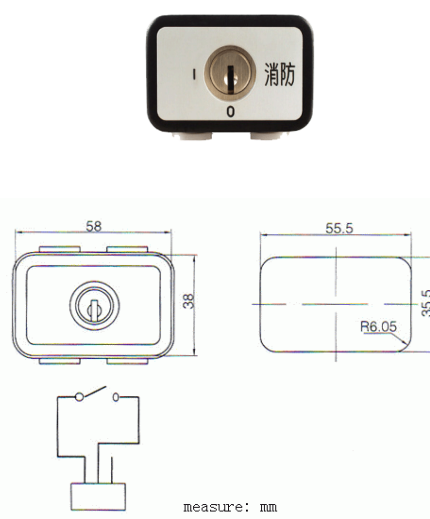
Apply for: high speed elevator

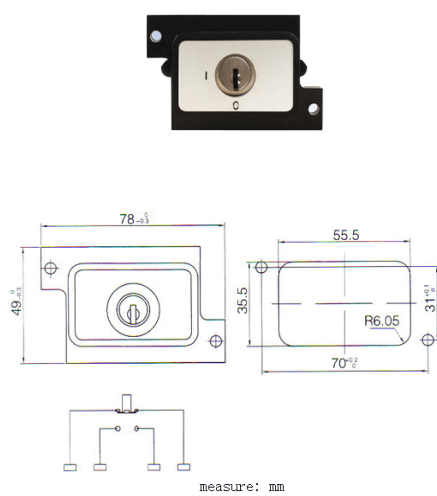
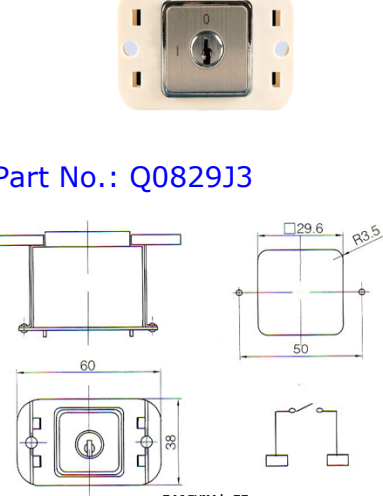
Roller guide shoe

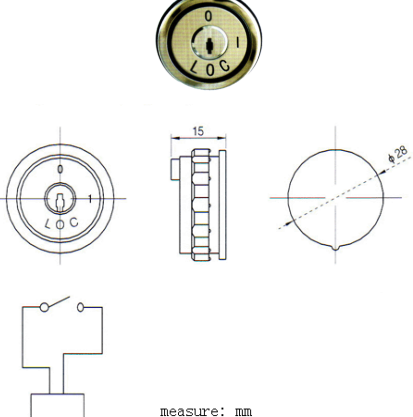

Rated speed  $\leq 5$  m/s

Width of guide rails : 8-20 mm



|  |   |   |  |
|--|---|---|--|
|  <p>measure: mm</p> | <p><b>Part No.:</b><br/><b>Q0815J3</b></p> <p>Key switch<br/>Rated voltage:<br/>DC30V<br/>Rated current<br/>&lt; 1A</p> |  <p>measure: mm</p> | <p><b>Part No.:</b><br/><b>Q0818J3</b></p> <p>Key switch<br/>Rated voltage :<br/>DC30V,AC220V<br/>Rated current<br/>&lt; 1A/6A</p> |
|--|---|---|--|

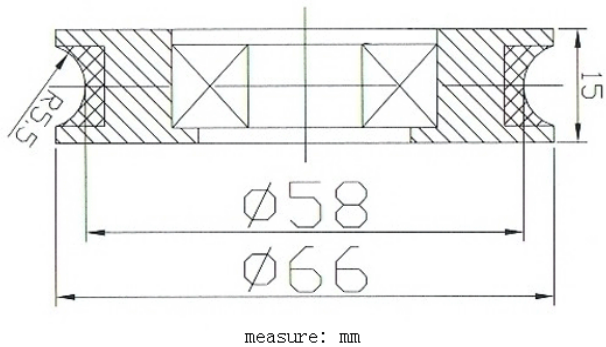
|   |  |  |  |
|---|--|--|--|
|  <p>measure: mm</p> | <p><b>Part No.:</b><br/><b>Q0823J3</b></p> <p>Key switch<br/>Rated voltage:<br/>DC30V,<br/>AC220V<br/>Rated current<br/>&lt; 1A/6A</p> |  <p>measure: mm</p> | <p><b>Part No.:</b> Q0829J3</p> <p>Key switch<br/>Rated voltage:<br/>DC30V<br/>Rated current<br/>&lt; 1A</p> |
|---|--|--|--|

|  |  |  |   |
|--|--|--|---|
|  <p>measure: mm</p> | <p><b>Part No.:</b><br/><b>Q0832J3</b></p> <p>Key switch<br/>Rated voltage :<br/>DC30V,AC220V<br/>Rated current<br/>&lt; 1A/6A</p> |  <p><b>Part No.:</b> Q0825J3</p> | <p>Toggle switch<br/>Rated voltage:<br/>DC30V<br/>Rated current<br/>&lt; 1A</p> |
|--|--|--|---|



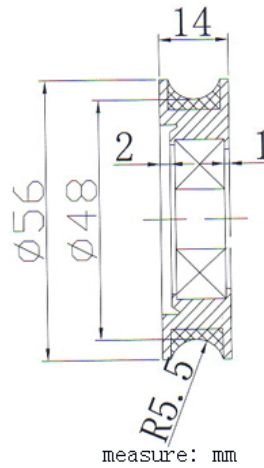
Part No.: H0301N1

Apply for: **Hitachi**  
hang wheel for Hitachi elevator

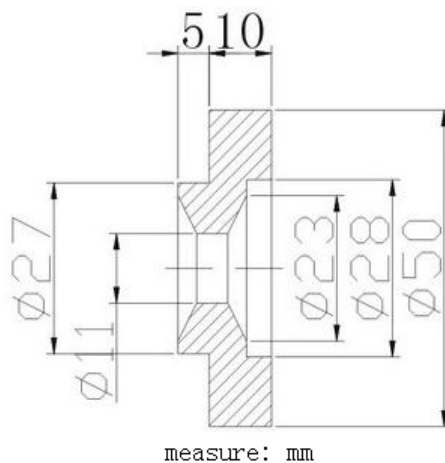


Part No.: M0301N1

Apply for: **Mitsubishi**  
for Mitsubishi escalator

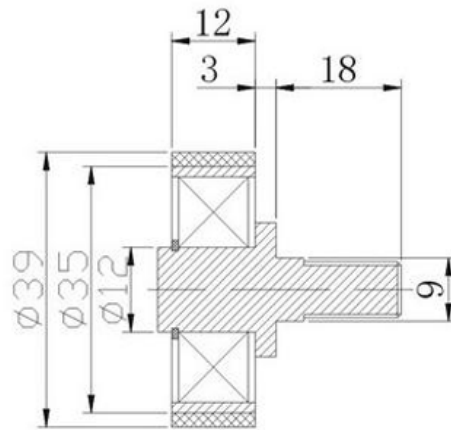


Part No.: Q0301N1





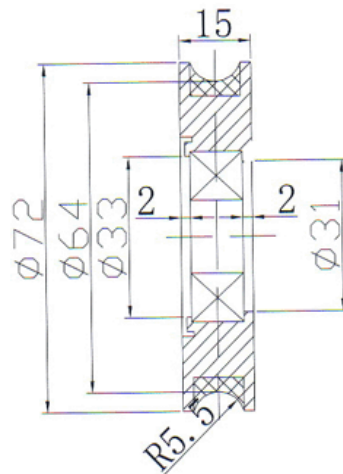
Part No.: Q0302N1



measure: mm



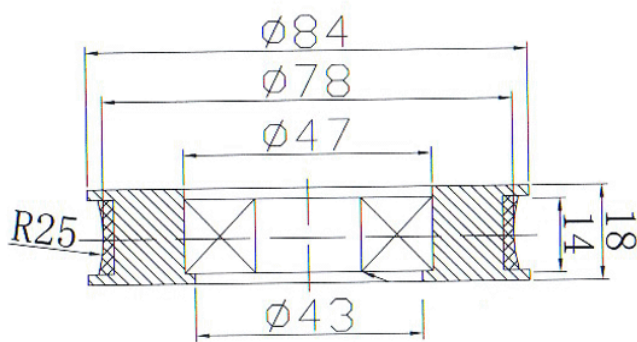
Part No.: Q0305N1



measure: mm



Part No.: Q0306N1

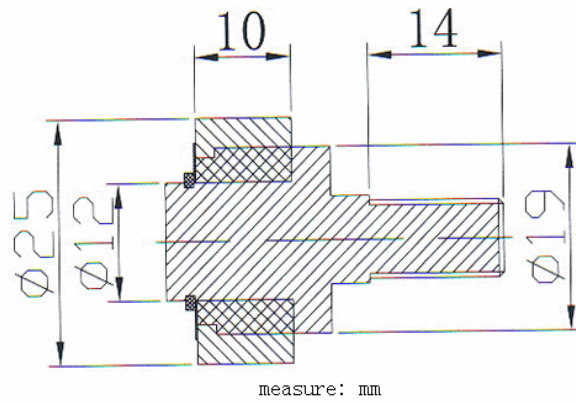


measure: mm

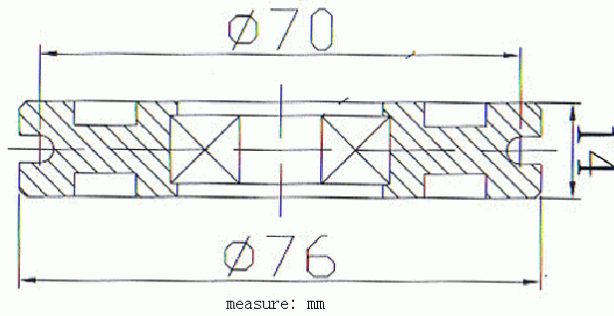




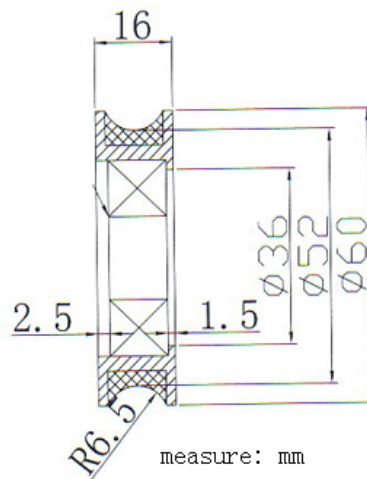
Part No.: Q0307N1

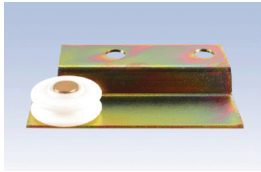


Part No.: Q0308N1

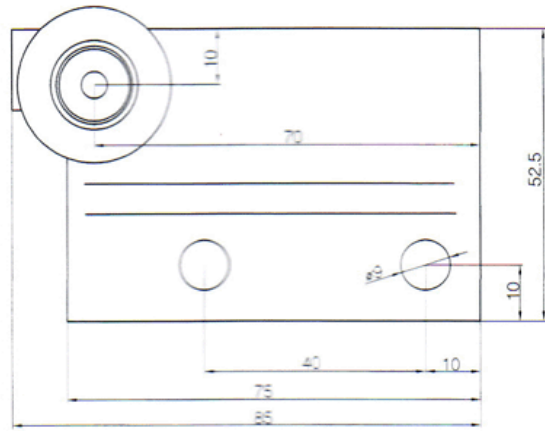
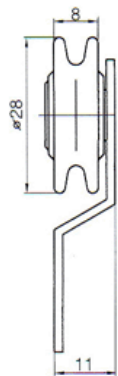


Part No.: T0301N1

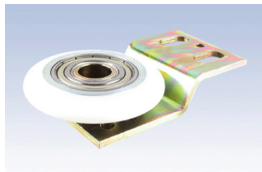




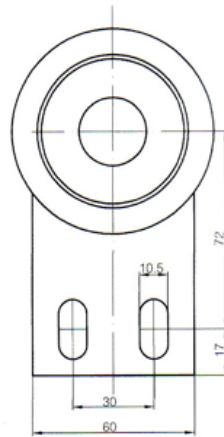
Part No.: Q0301J3



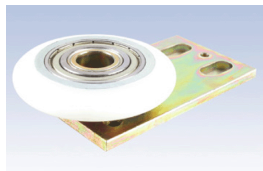
measure: mm



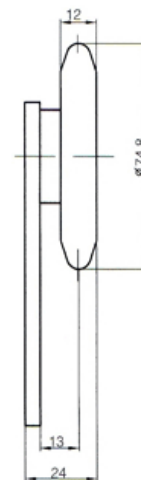
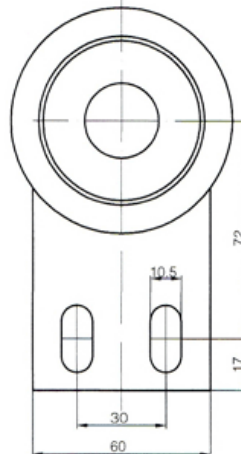
Part No.: S0301N6



measure: mm



Part No.: S0302N6


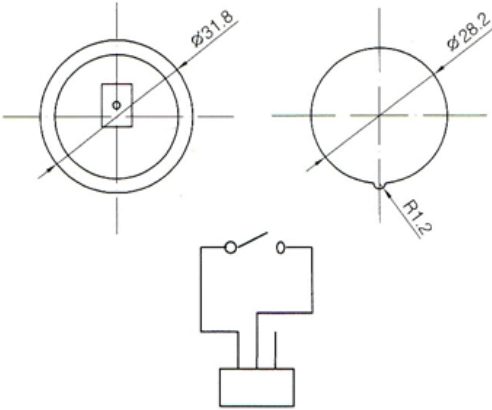



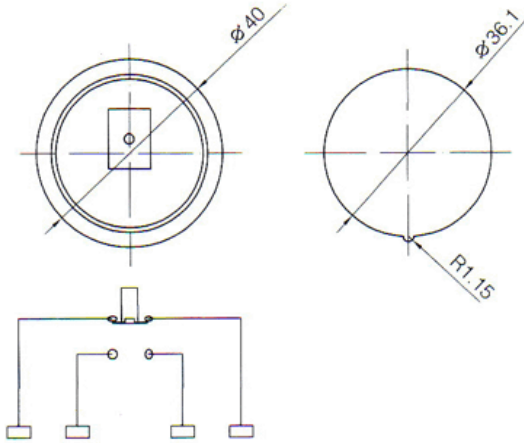
measure: mm


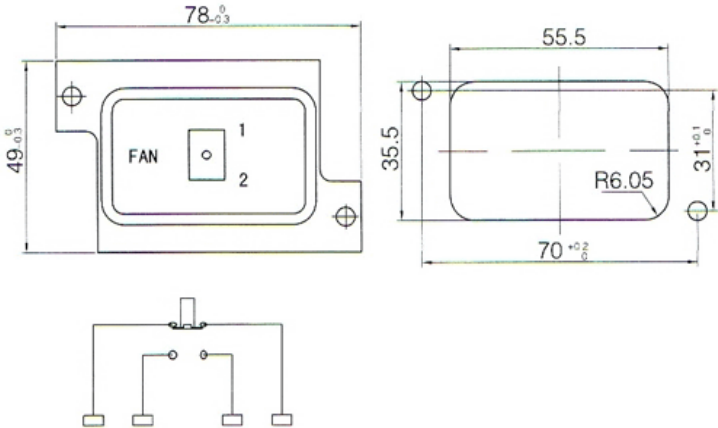
|   |   |  |   |
|---|---|--|---|
|    |    |    |    |
| S0303N6   | S0304N6   | S0306N6  | Q0301N6   |
|    |    |    |    |
| Q0302N6   | Q0303N6   | Q0306N6  | Q0307N6   |
|    |    |    |    |
| Q0308N6   | Q0309N6   | Q0310N6  | Q0311N6   |
|   |   |   |   |
| Q0313N6   | Q0316N6   | Q0317N6  | Q0318N6   |
|  |  |  |  |
| Q0326N6   | Q0320N6   | Q0321N6  | Q0323N6   |
|  |  |  |  |
| Q0324N6   | Q0327N6   | M0301N6  | M0302N6   |
|  |  |  |  |
| M0303N6   | M0304N6   | Q0307N4  | Q0308N4   |
|  |  |  |   |
| Q0309N4   | Q0313N4   | Q0317N4  |   |

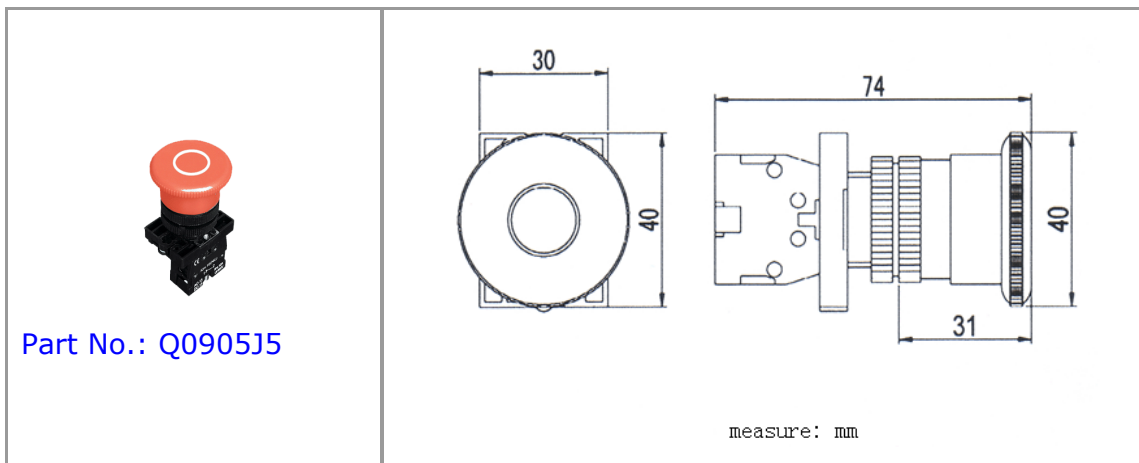
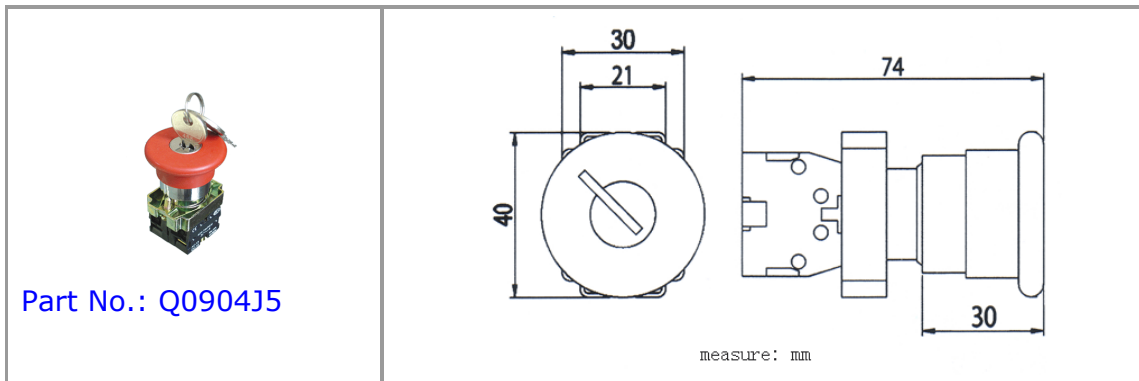
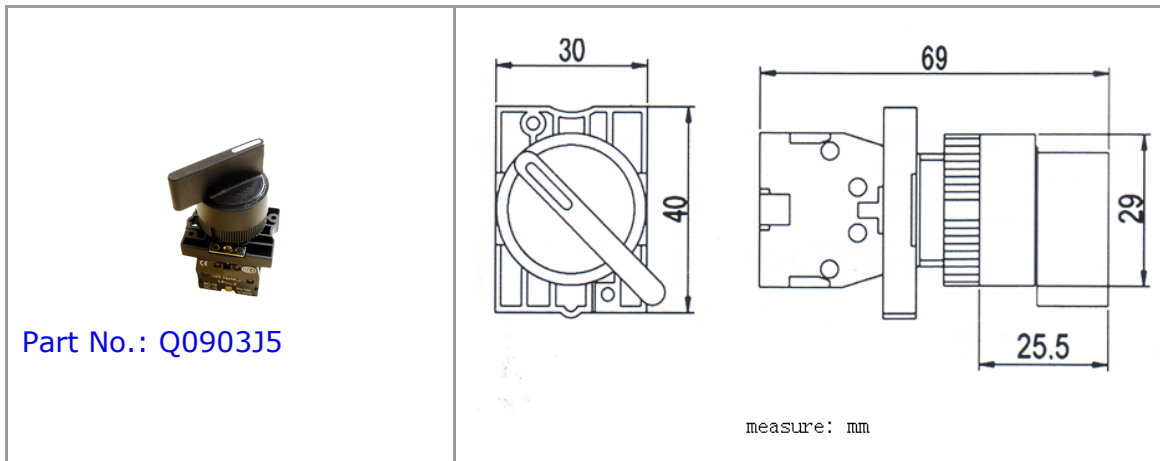
Rollers

25.4mm = 1inch  
mm — millimeter

|  |  |
|--|--|
|                                       |  |
| <p><b>Part No.:</b> Q0802J3<br/> <b>Rated voltage:</b> DC30V,<br/>         AC220V<br/> <b>Rated current:</b> 1A/6A</p> | <p>measure: mm</p>   |

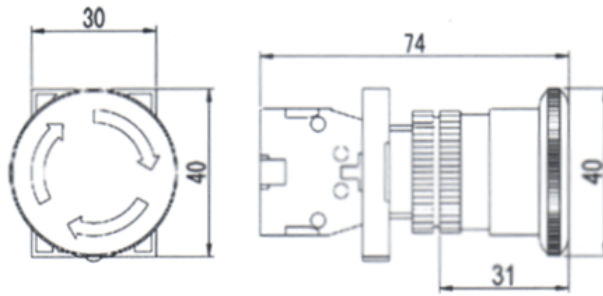
|  |   |
|--|---|
|    |  |
| <p><b>Part No.:</b> Q0804J3<br/> <b>Rated voltage:</b> DC30V,<br/>         AC220V<br/> <b>Rated current</b> &lt; 1A,6A</p> | <p>measure: mm</p>  |

|  |  |
|--|--|
|   |  |
| <p><b>Part No.:</b> Q0819J3<br/> <b>Rated voltage:</b> DC30V,<br/>         AC220V<br/> <b>Rated current</b> &lt; 1A,6A</p> | <p>measure: mm</p>   |





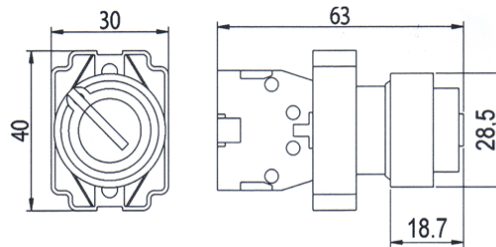
Part No.: Q0906J5



measure: mm



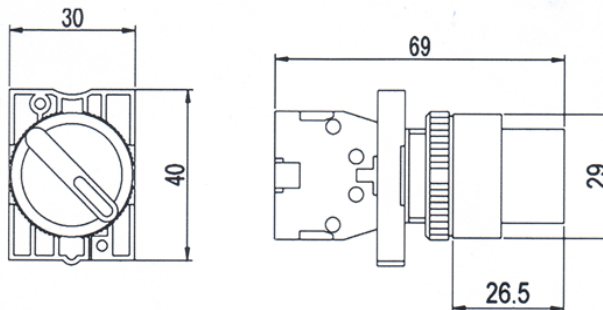
Part No.: Q0907J5



measure: mm



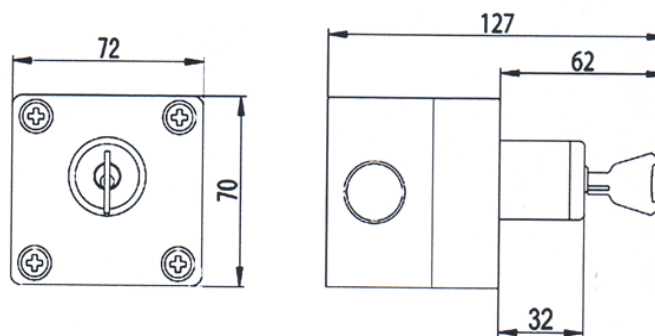
Part No.: Q0908J5



measure: mm



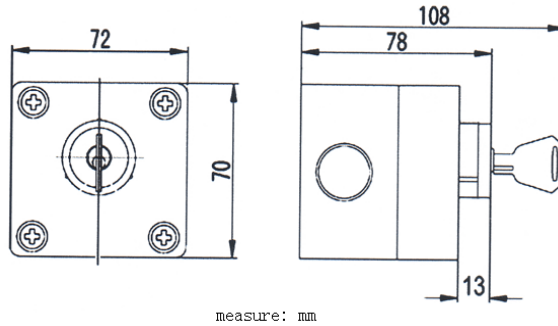
Part No.: Q0931J5



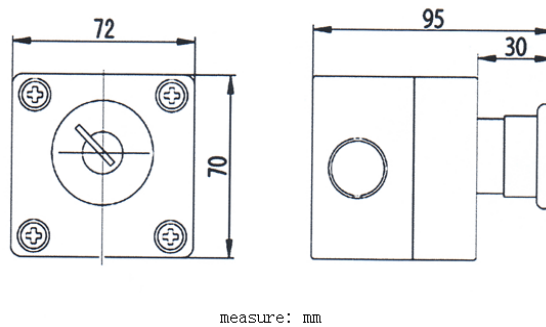
measure: mm



Part No.: Q0932J5



Part No.: Q0935J5



Part No.: Q0929J5

