



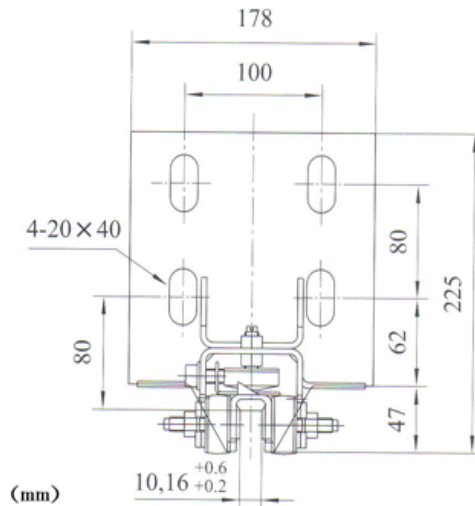
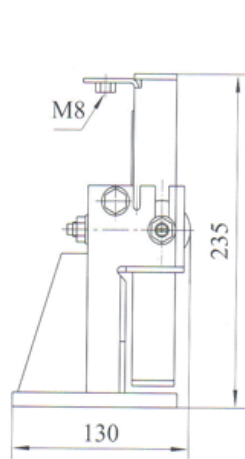
Part No.: S0008H2

Apply for: Schindler

Rated speed ≤ 2.5 m/s

Gross mass ≤ 1250 kg

Width of guide rails : 10,16 mm



(mm)



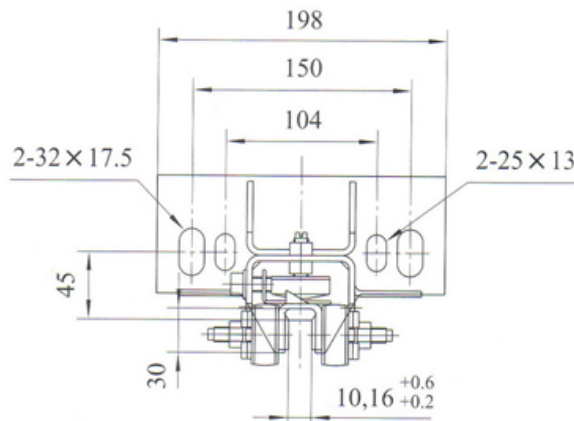
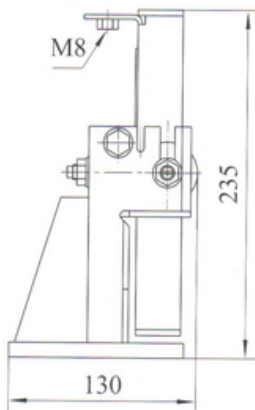
Part No.: S0001H2

Apply for: Schindler

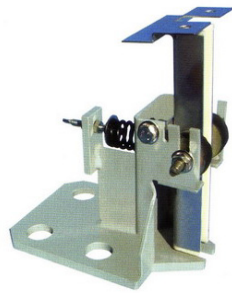
Rated speed ≤ 2.5 m/s

Gross mass ≤ 1250 kg

Width of guide rails : 10,16 mm



measure: mm



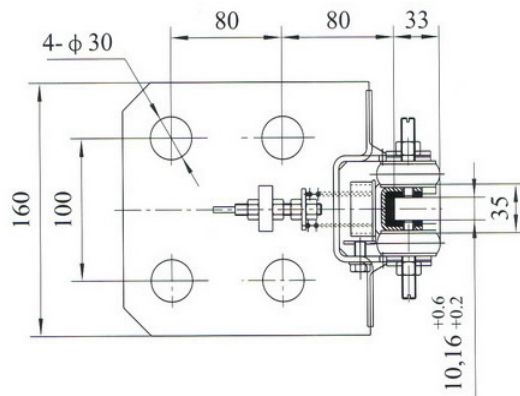
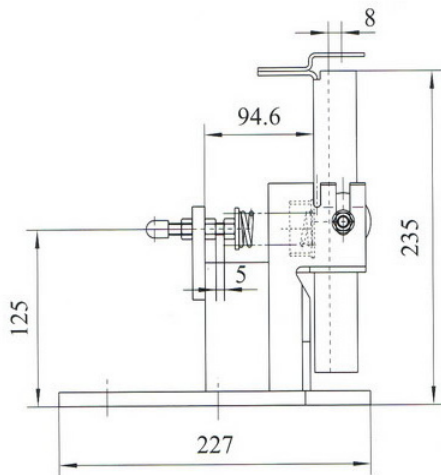
Part No.: S0002H2

Apply for: **Schindler**

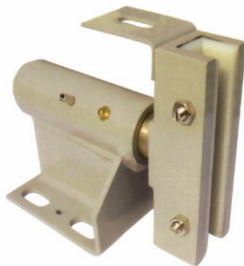
Rated speed ≤ 2.5 m/s

Allowable gross mass ≤ 1350 kg

Width of guide rails : 10,16 mm



measure: mm



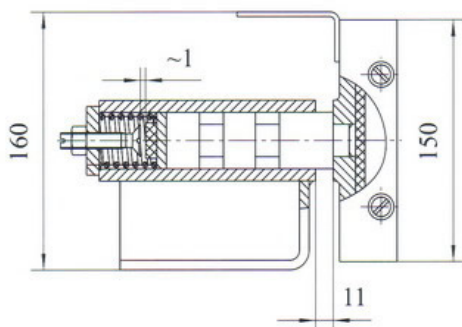
Part No.: S0004H2

Apply for: **Schindler**

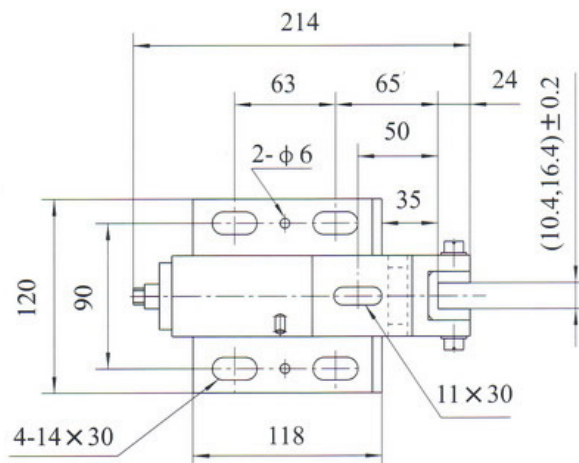
Rated speed ≤ 2 m/s

Allowable gross mass ≤ 1000 kg

Width of guide rails : 10,16 mm



measure: mm



25.4mm = 1inch
mm — millimeter

Guide Shoes



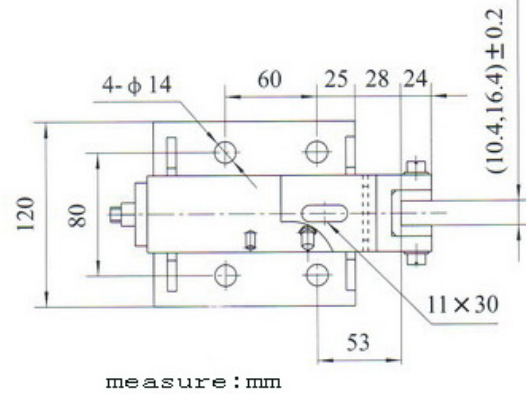
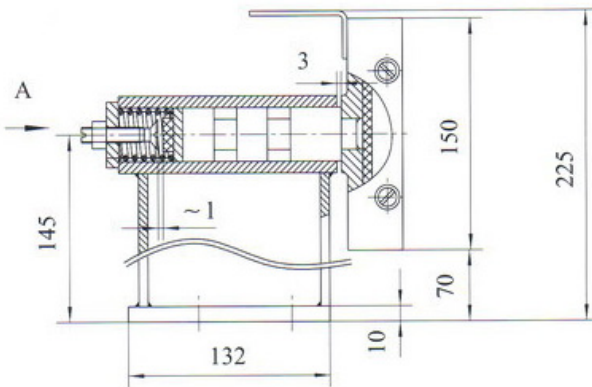
Part No.: S0005H2

Apply for: Schindler

Rated speed ≤ 2 m/s

Allowable gross mass ≤ 2000 kg

Width of guide rails : 10,16 mm



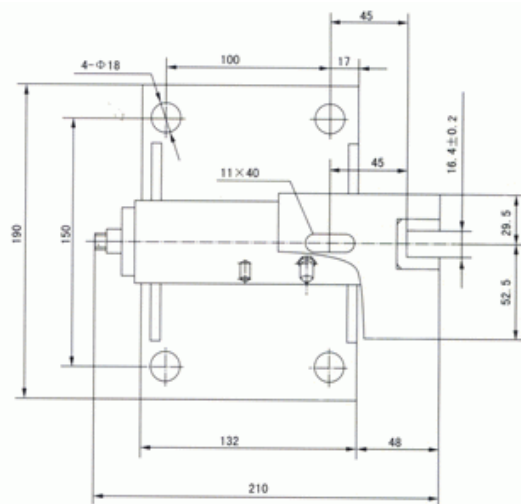
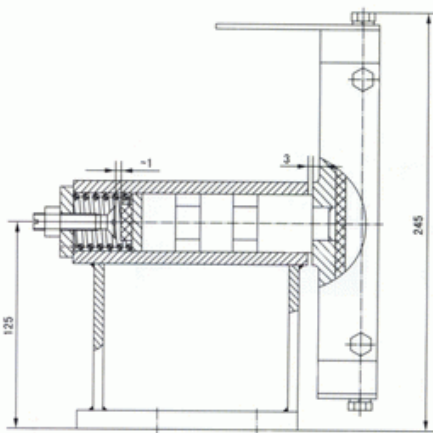
Part No.: S0006H2

Apply for: Schindler

Rated speed ≤ 2 m/s

Allowable gross mass ≤ 2000 kg

Width of guide rails : 16 mm





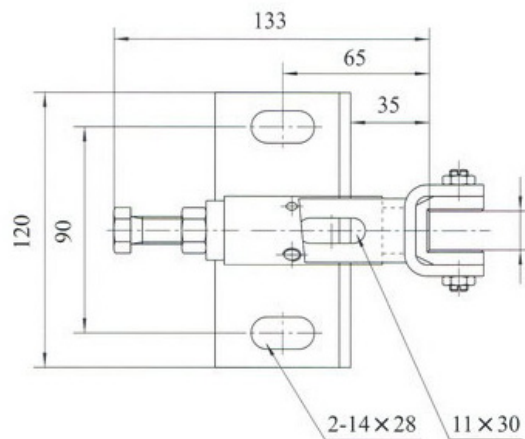
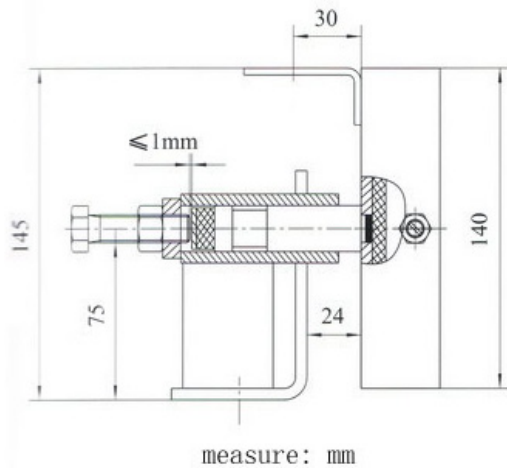
Part No.: S0007H2

Apply for: **Schindler**

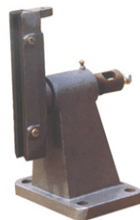
for counter weight

Rated speed ≤ 2 m/s

Width of guide rails : 10,4,16,4,17 mm



Guide Shoes

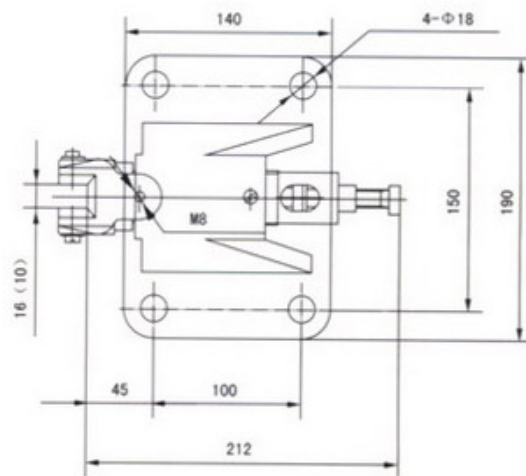
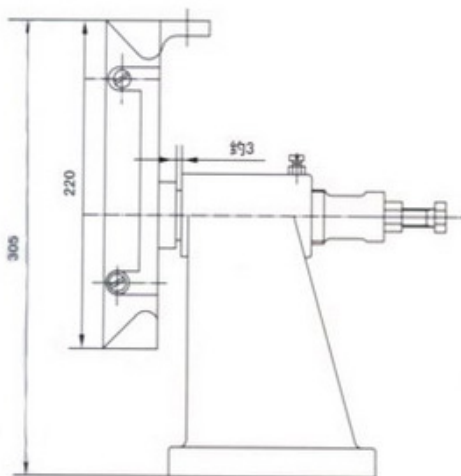


Part No.: S0003H2

Apply for: **Schindler**

Rated speed ≤ 2.5 m/s

Width of guide rails : 10,16 mm



25.4mm = 1 inch
mm — millimeter

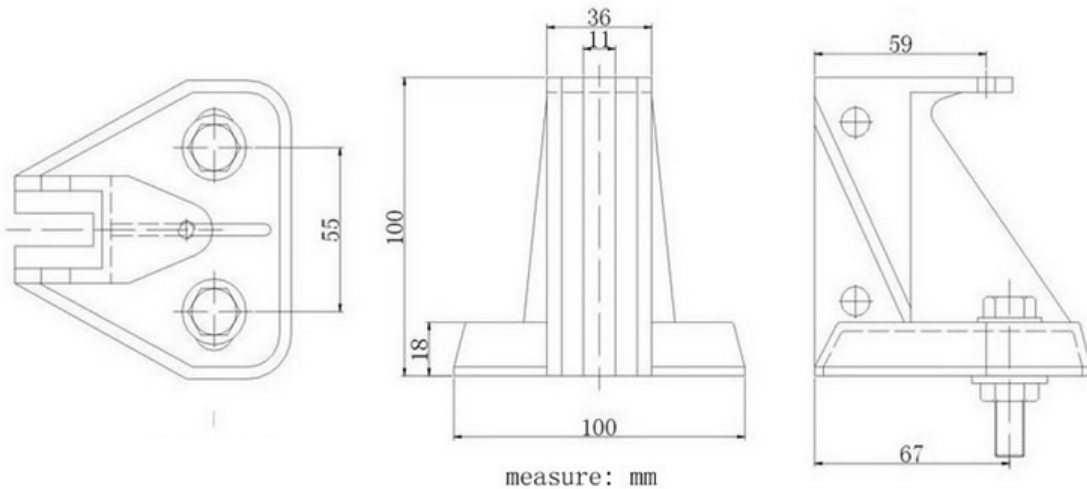


Part No.: S0001N1

Apply for: **Schindler**

Rated speed ≤ 1.6 m/s

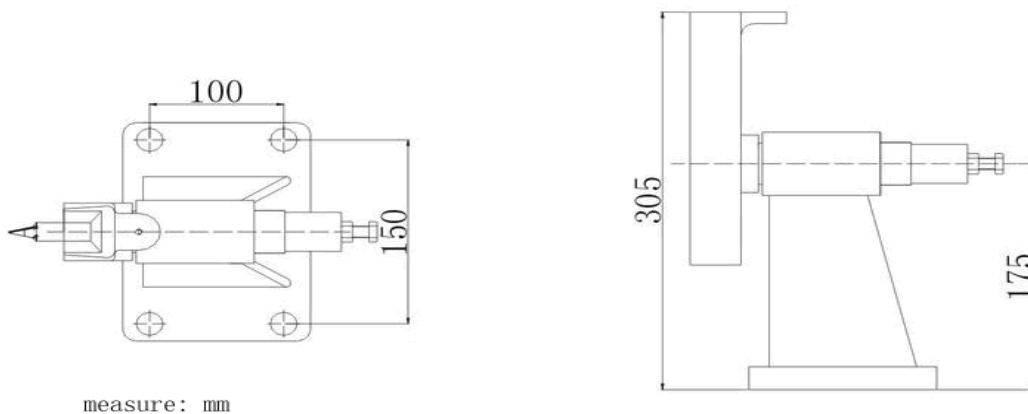
Width of guide rails : 10,16 mm



Part No.: S0002N1

Apply for: **Schindler**

Width of guide rails : 10,16 mm



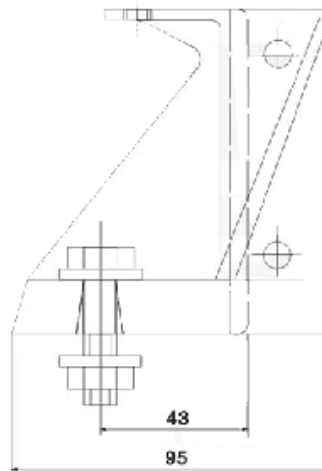
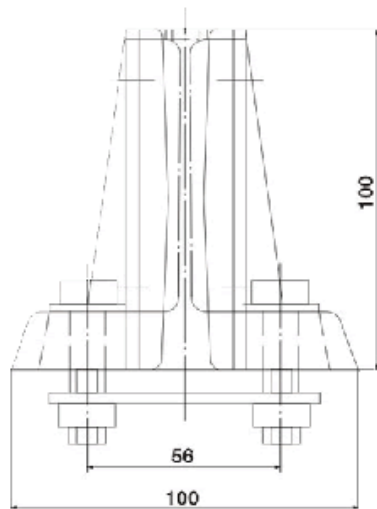


Part No.: S0001N4

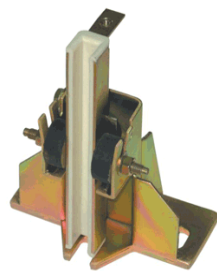
Apply for: Schindler

Rated speed ≤ 1.6 m/s

Width of guide rails : 5,10,16 mm



measure: mm

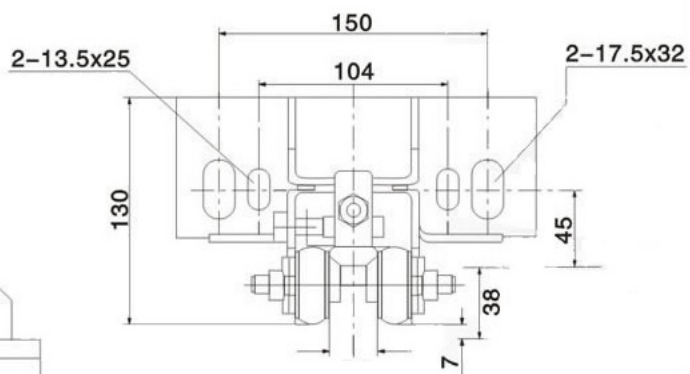
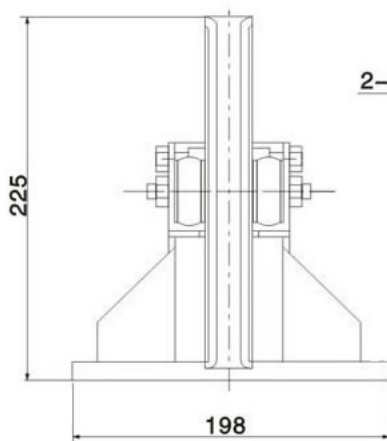


Part No.: S0002N4

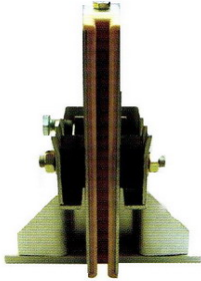
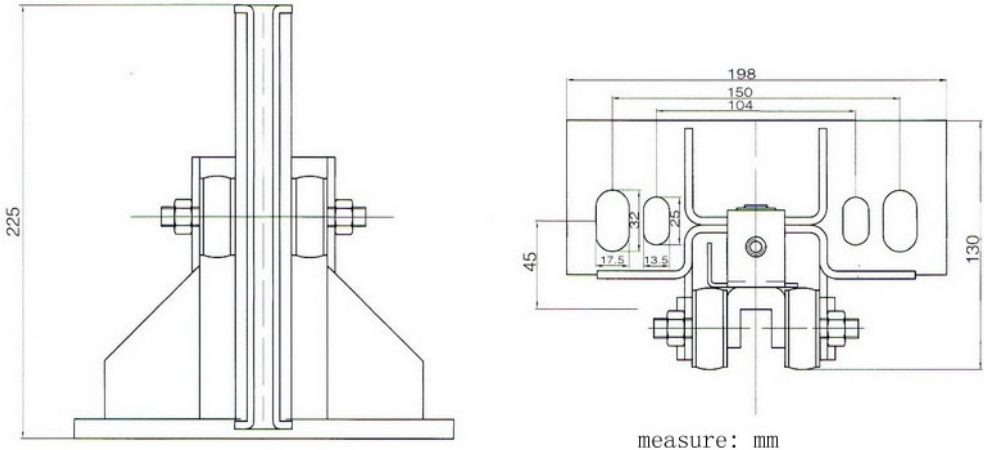
Apply for: Schindler


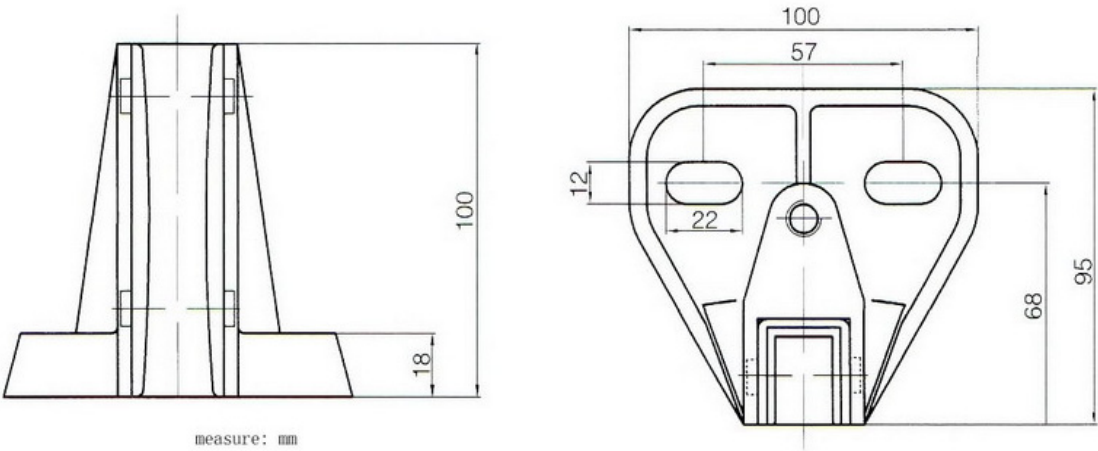
Rated speed ≤ 2.5 m/s

Width of guide rails : 10,16 mm



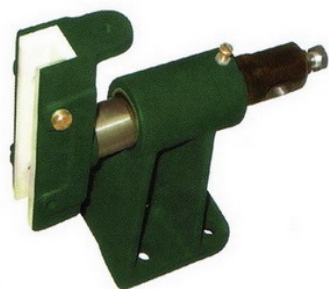
measure: mm

	<p>Part No.: S0001J3</p> <p>Apply for: Schindler for passenger elevator</p>
 <p>measure: mm</p>	

	<p>Part No.: S0002J3</p> <p>Apply for: Schindler for passenger elevator</p>
 <p>measure: mm</p>	

Guide Shoes

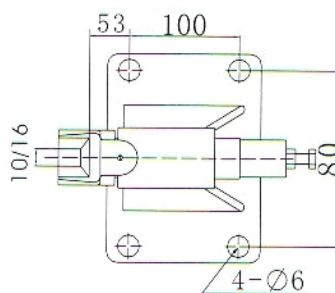
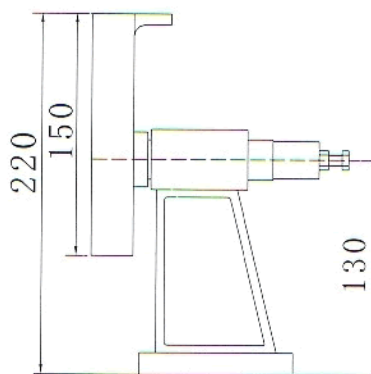
25.4mm = 1 inch
mm — millimeter



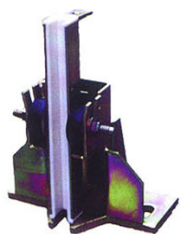
Part No.: S0001J1

Apply for: Schindler

Width of guide rails : 10,16 mm



measure: mm

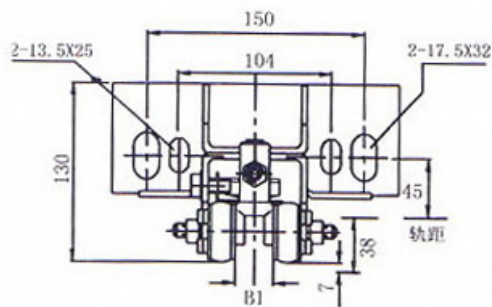
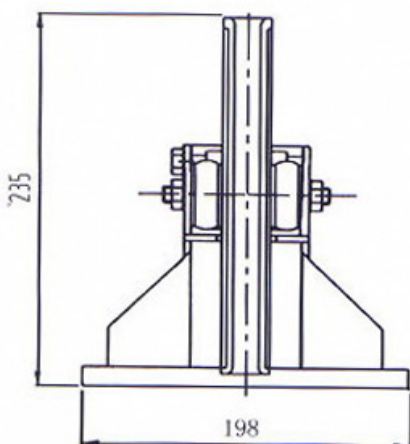


Part No.: S0002N6

Apply for: Schindler

Rated speed ≤ 2.5 m/s

Width of guide rails: 10,16 mm



mm

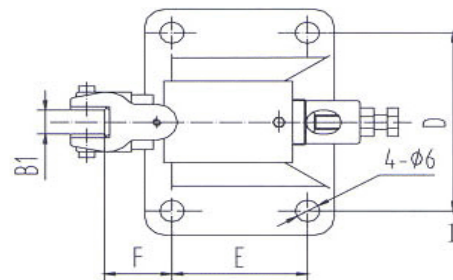
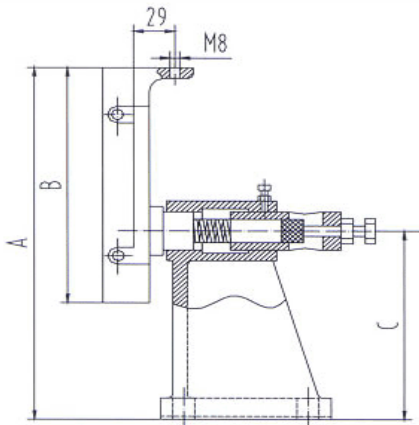


Part No.: S0003N6

Apply for: Schindler

Rated speed ≤ 2.5 m/s

Width of guide rails : 10,16 mm



measure : mm

B1 ^o	A ^o	B ^o	C ^o	D ^o	E ^o	F ^o	G ^o
10	220 ^o	150 ^o	130 ^o	80 ^o	60 ^o	53 ^o	207 ^o
16 ^o							

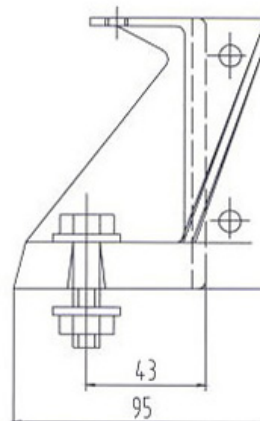
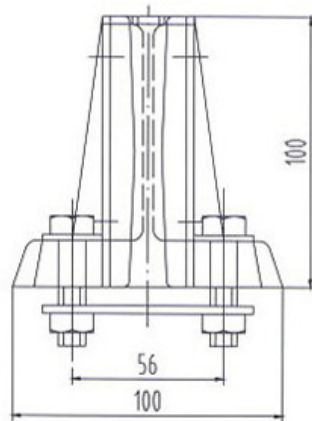


Part No.: S0001N6

Apply for: Schindler

Rated speed ≤ 2 m/s

Width of guide rails: 9,16 mm



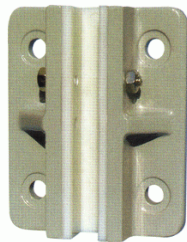
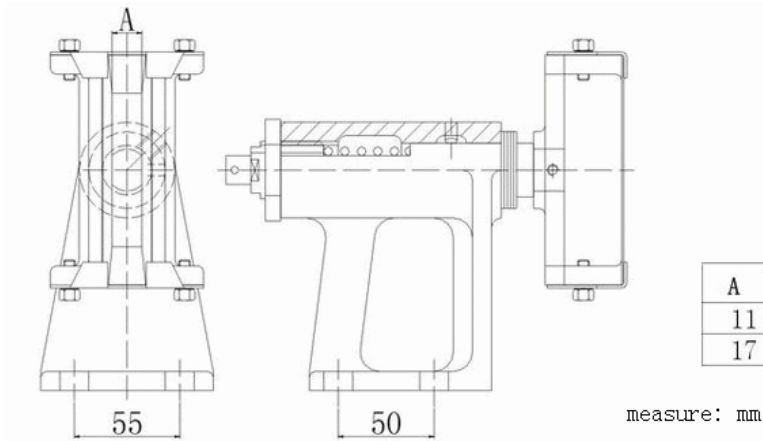
mm



Part No.: S0004N1

Apply for: **Schindler**

Width of guide rails : 10,16 mm

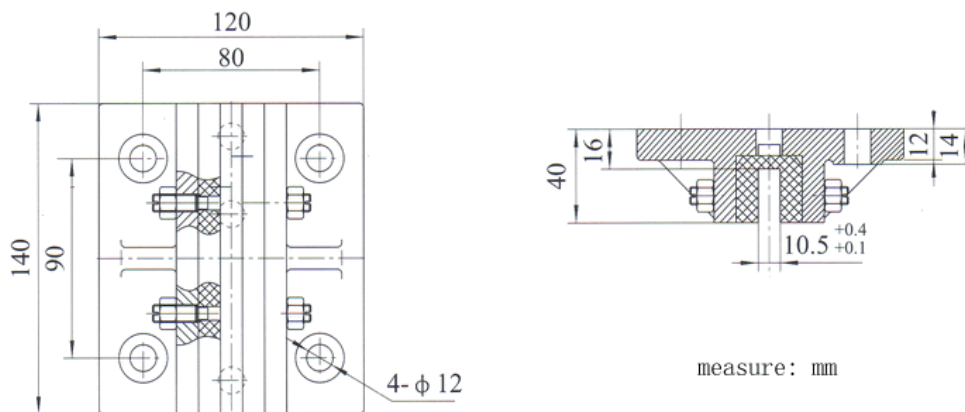


Part No.: H0001H2

Apply for: **Hitachi**
for counter weight

Rated speed ≤ 1.75 m/s

Width of guide rails : 10 mm



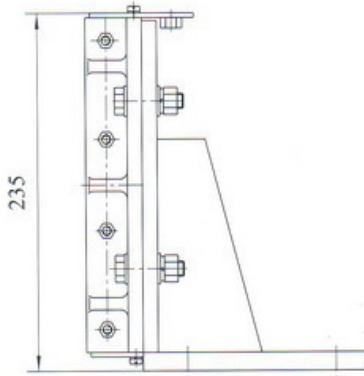


Part No.: H0002H2

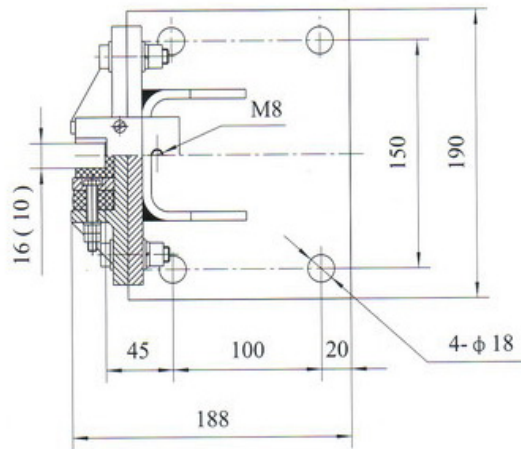
Apply for: Hitachi

Rated speed ≤ 2 m/s

Width of guide rails : 10,16 mm



measure: mm



Guide Shoes

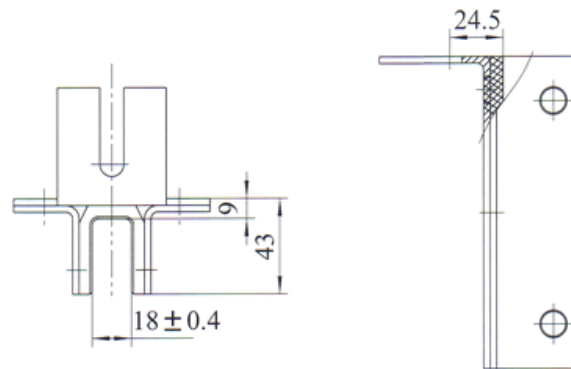
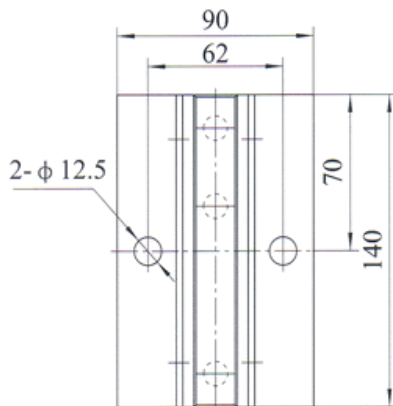
25.4mm = 1inch
mm — millimeter



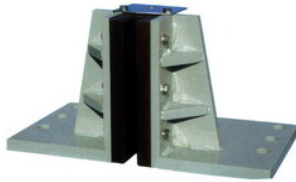
Part No.: H0004H2

Apply for: Hitachi
for counter weight

Width of guide rails : 16.4 mm



measure: mm

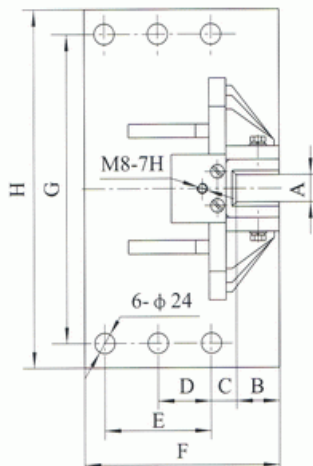


Part No.: H0003H2

Apply for: Hitachi

Rated speed ≤ 0.63 m/s

Width of guide rails : 31.75 mm



32	51	30	63.5	127	232	362	420	20	350
A	B	C	D	E	F	G	H	I	J

measure: mm

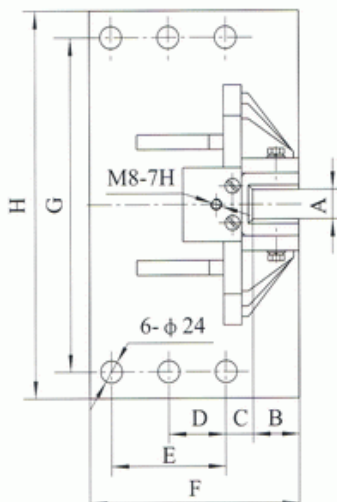


Part No.: H0005H2

Apply for: Hitachi

Rated speed ≤ 0.63 m/s

Width of guide rails : 19 mm



19.3	51	30	66	132	240	392	452	20	240
A	B	C	D	E	F	G	H	I	J

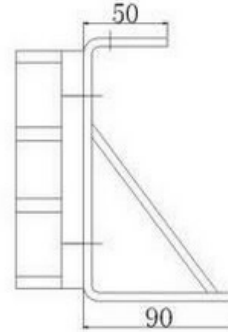
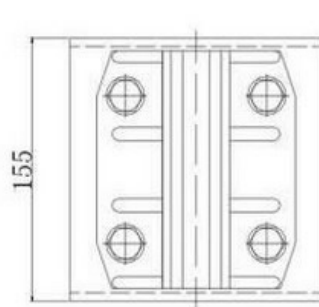
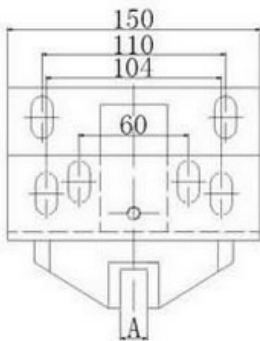
measure: mm



Part No.: H0001N1

Apply for: **Hitachi**

Width of guide rails : 10,16 mm



A
11
17

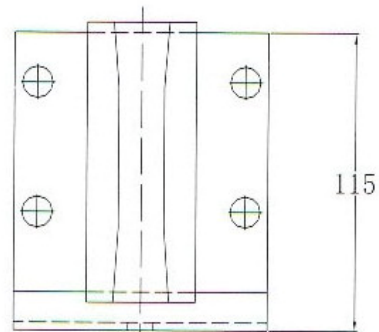
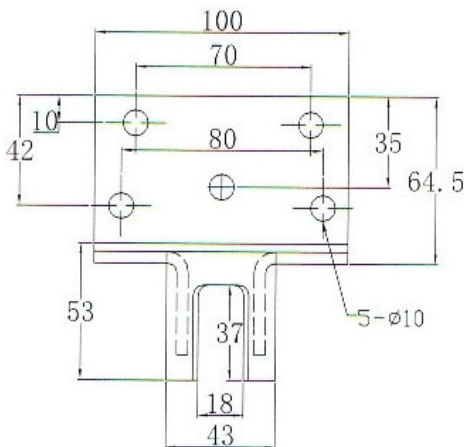
measure: mm



Part No.: H0002N1

Apply for: **Hitachi**

Width of guide rails : 10,16 mm



measure: mm

Guide Shoes

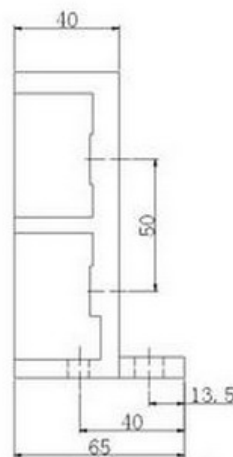
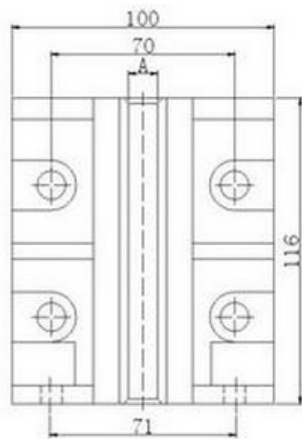
25.4mm = 1 inch
mm — millimeter



Part No.: H0003N1

Apply for: Hitachi

Width of guide rails : 10,16 mm



A
11
17

measure: mm

Guide Shoes

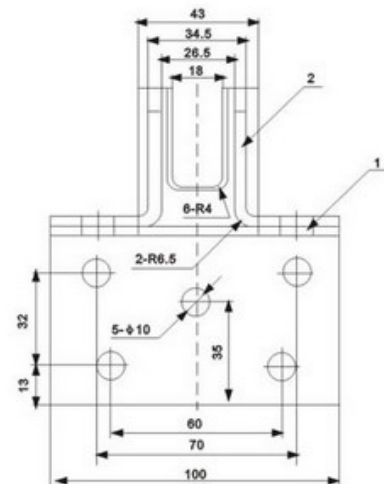
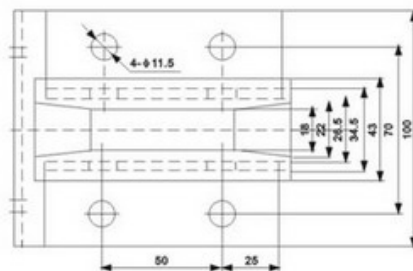
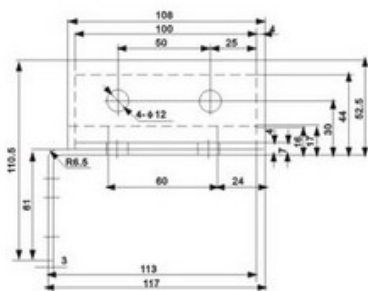
25.4mm = 1 inch
mm — millimeter

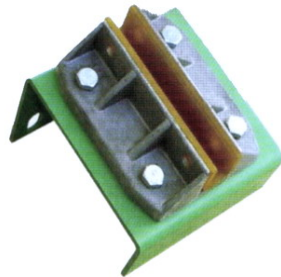


Part No.: H0001N4

Apply for: Hitachi

for passenger elevator

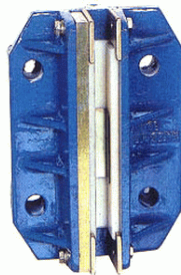
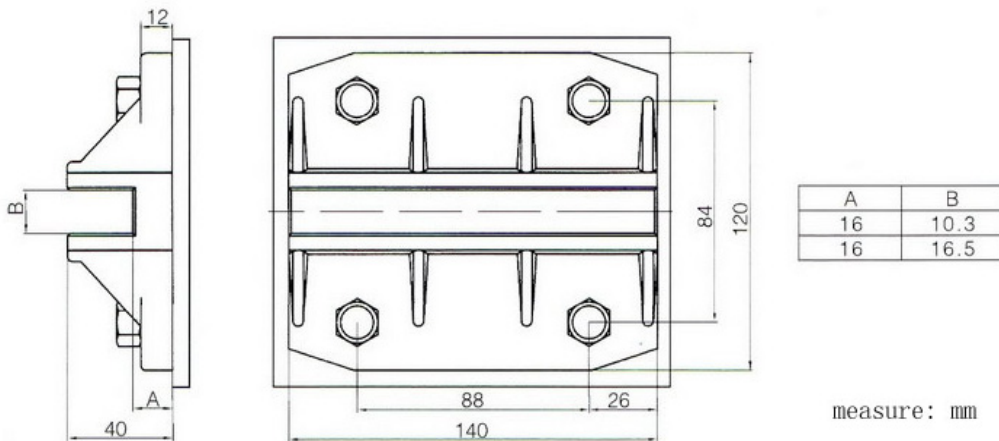




Part No.: H0001J3

Apply for: Hitachi

Width of guide rails : 10, 16mm

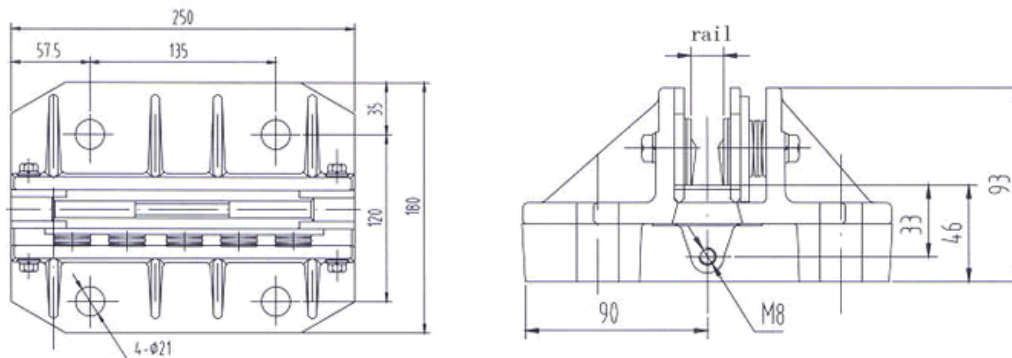


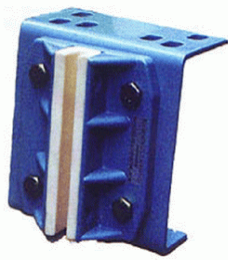
Part No.: H0001N6

Apply for: Hitachi

Rated speed ≤ 2 m/s

Width of guide rails : 10,16 mm



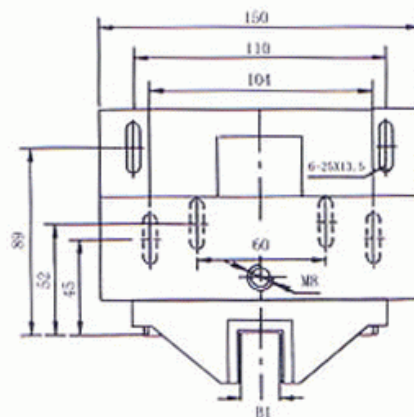
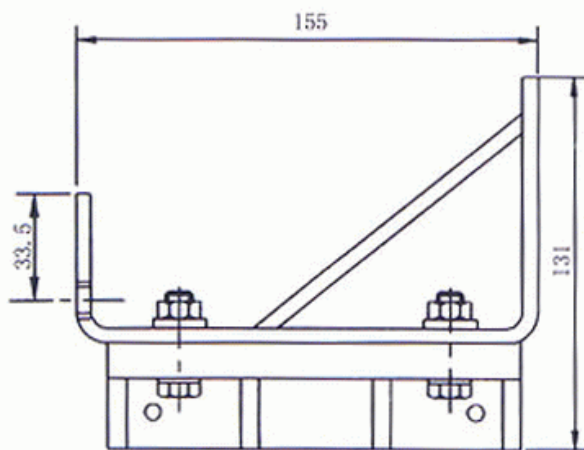


Part No.: H0003N6

Apply for: Hitachi

Rated speed ≤ 2.5 m/s

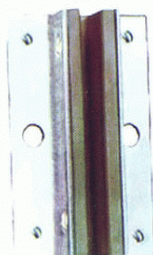
Width of guide rails : 10,16 mm



measure : mm

Guide Shoes

25.4mm = 1 inch
mm — millimeter

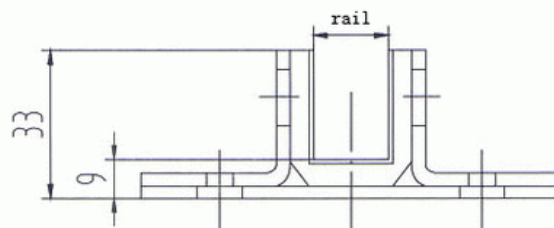
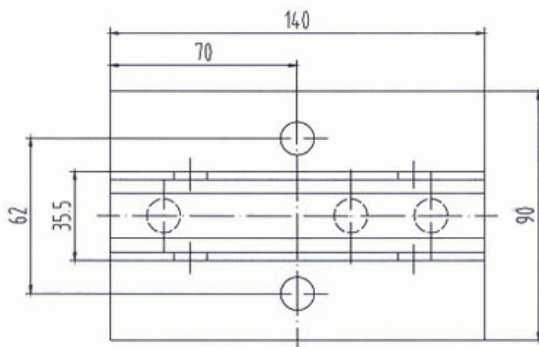


Part No.: H0002N6

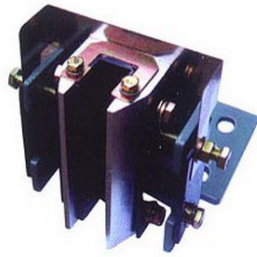
Apply for: Hitachi

Rated speed ≤ 2.5 m/s

Width of guide rails : 10,16 mm



measure: mm

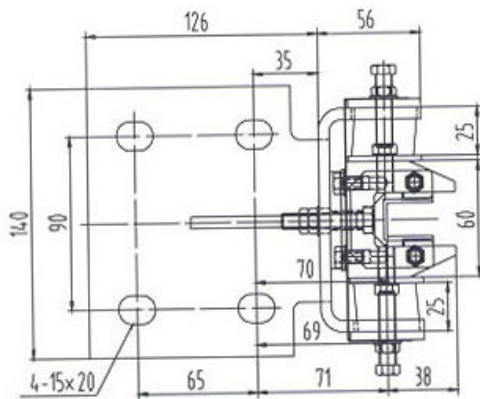


Part No.: H0004N6

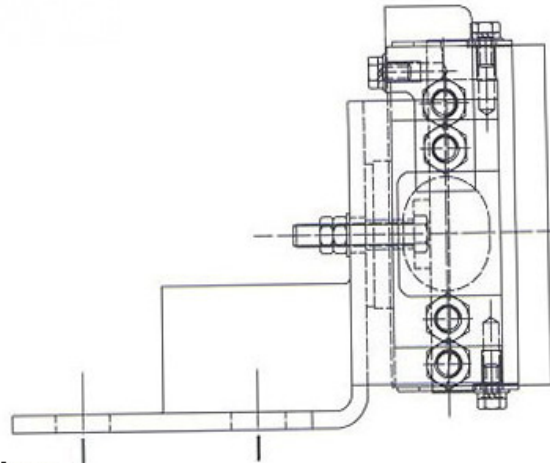
Apply for: Hitachi

Rated speed ≤ 2.5 m/s

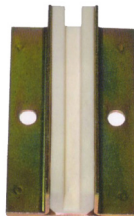
Width of guide rails : 16 mm



measure : mm



Guide Shoes

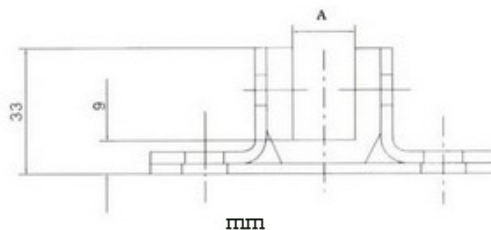
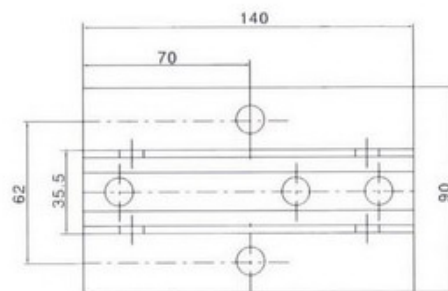


Part No.: H0002N4

Apply for: Hitachi

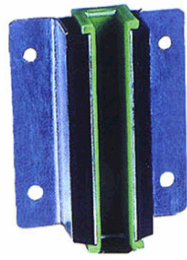
Rated speed ≤ 5 m/s

Width of guide rails(A) : 10,16 mm



mm

25.4mm = 1 inch
mm — millimeter

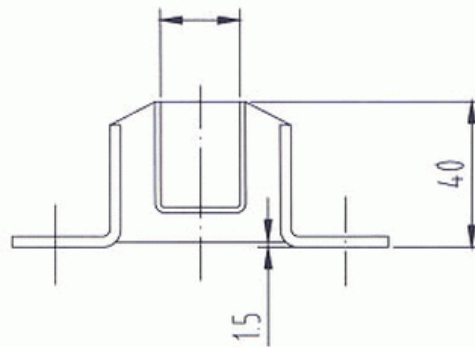
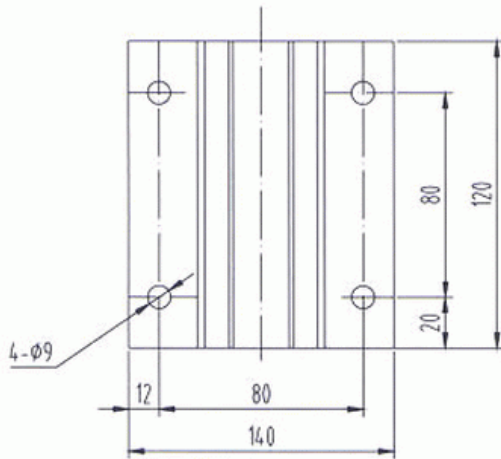


Part No.: Q0001N6

Apply for: Hitachi

Rated speed ≤ 2 m/s

Width of guide rails: 9,16 mm



measure: mm

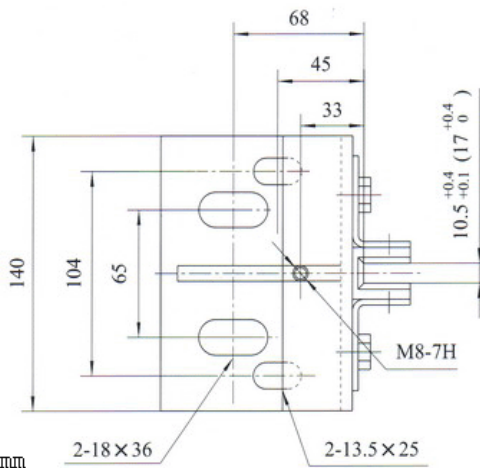
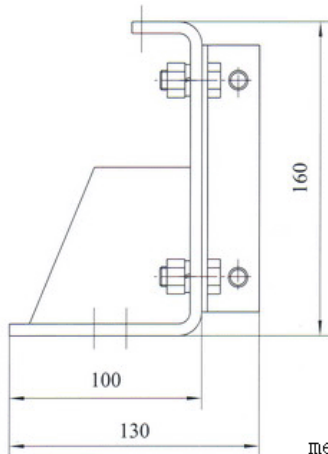


Part No.: Q0002H2

for counter weight

Rated speed ≤ 1.75 m/s

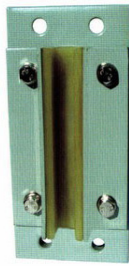
Width of guide rails : 16.4 mm



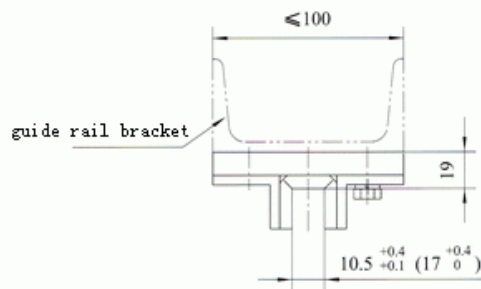
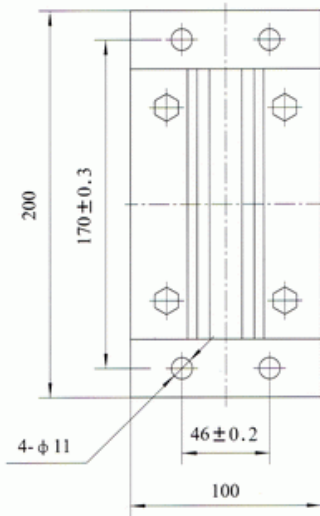
measure: mm

Guide Shoes

25.4mm = 1 inch
mm — millimeter



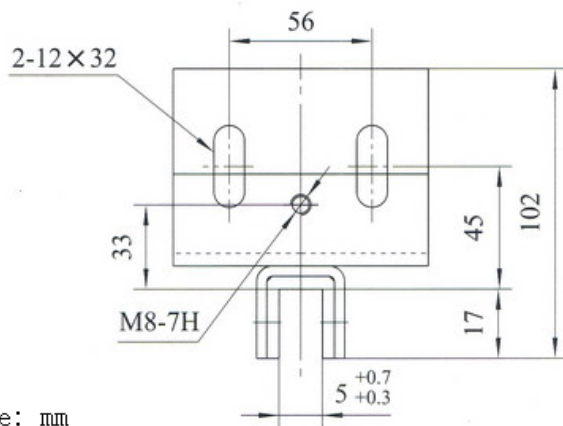
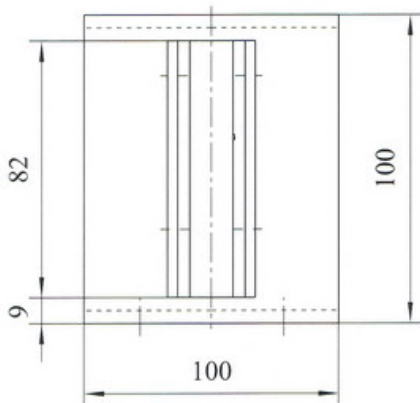
Part No.: Q0003H2
for counter weight
Rated speed ≤ 2.5 m/s
Width of guide rails : 10,16.4 mm



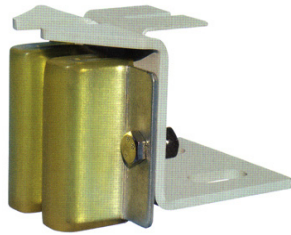
measure: mm



Part No.: Q0004H2
for serve lift or counter weight
Rated speed ≤ 1.75 m/s
Width of guide rails : 5 mm

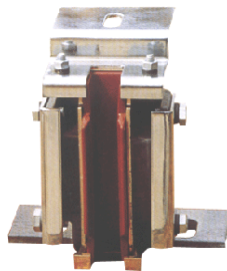
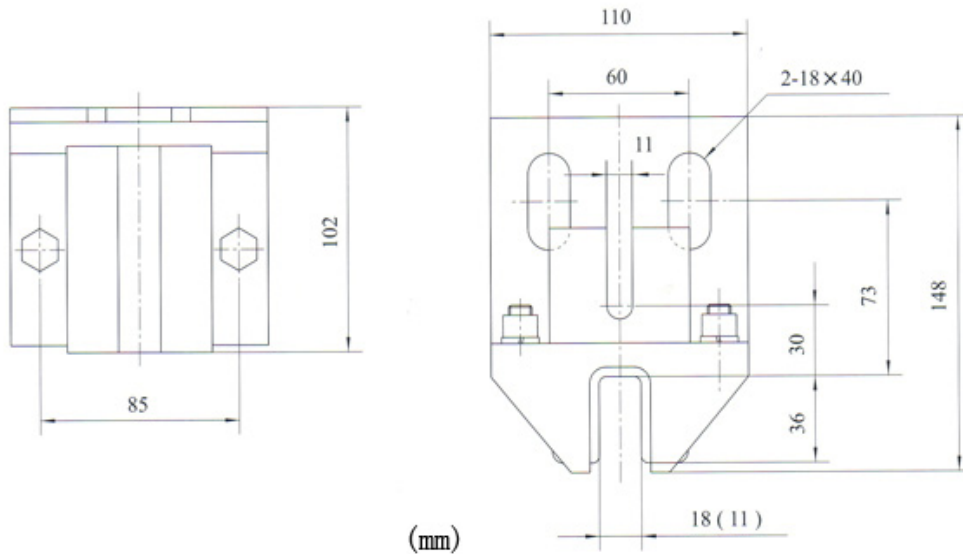


measure: mm



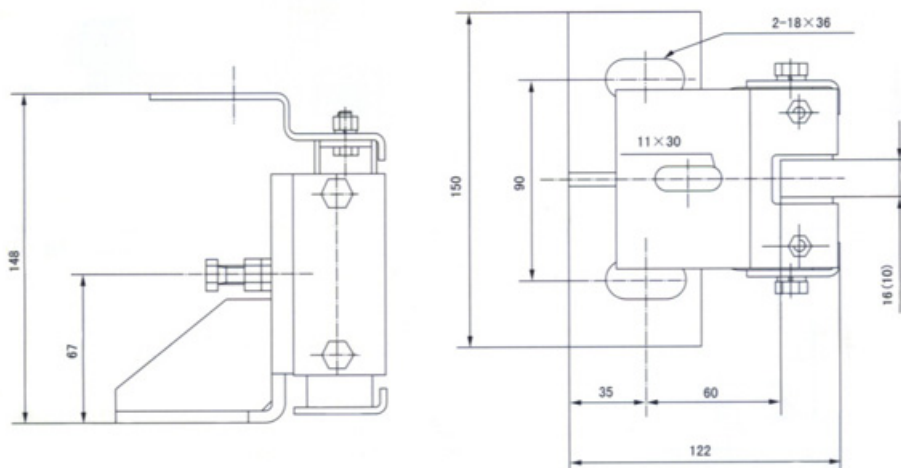
Part No.: M0003H2

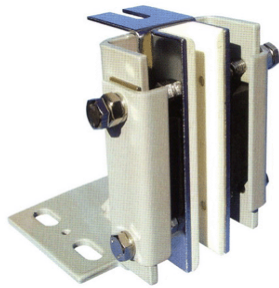
Apply for: **Mitsubishi**
counter weight guide shoe
Rated speed $\leq 1.75\text{m/s}$
Width of guide rails : 10.4,10 mm



Part No.: M0004H2

Apply for: **Mitsubishi**
Rated speed $\leq 1.75\text{ m/s}$
Gross mass $\leq 1350\text{ kg}$
Pressure on the front surface of guide rail: $\leq 1000\text{N}$
Pressure on the side surface of guide rail: $\leq 650\text{N}$
Width of guide rails : 10,16 mm





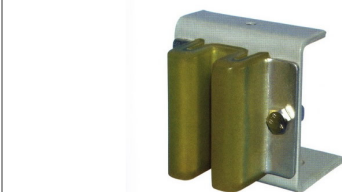
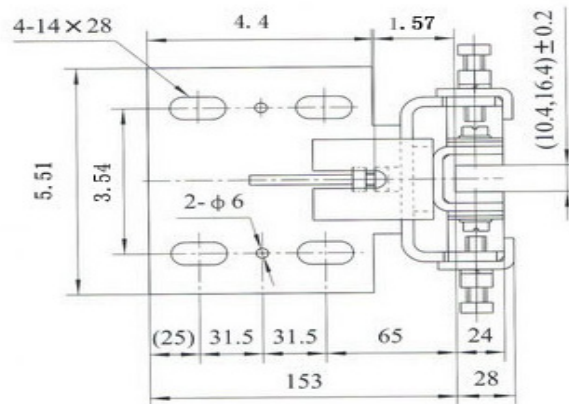
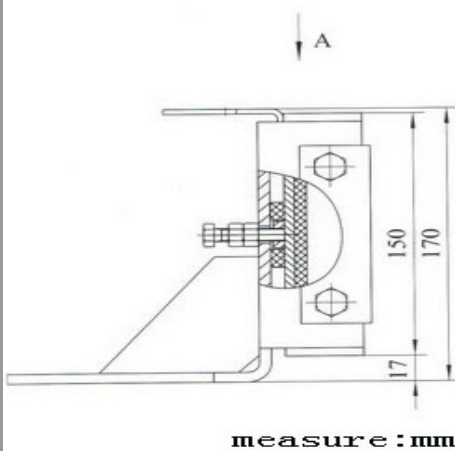
Part No.: M0001H2

Apply for: Mitsubishi

Rated speed ≤ 2 m/s

Gross mass ≤ 2000 kg

Width of guide rails : 10,16 mm



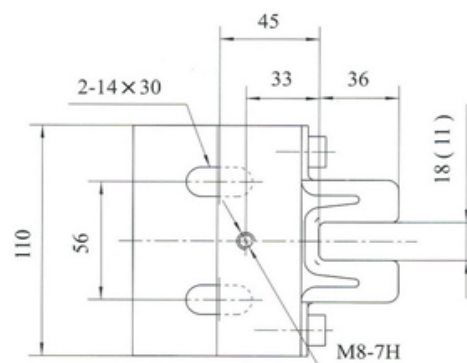
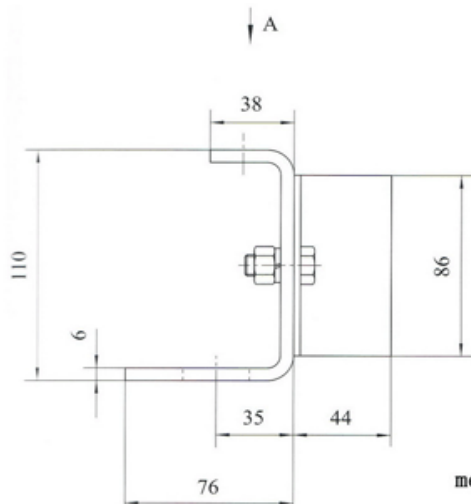
Part No.: M0002H2

Apply for: Mitsubishi

counter weight guide shoe

Rated speed ≤ 1.75 m/s

Width of guide rails : 10.4,10 mm



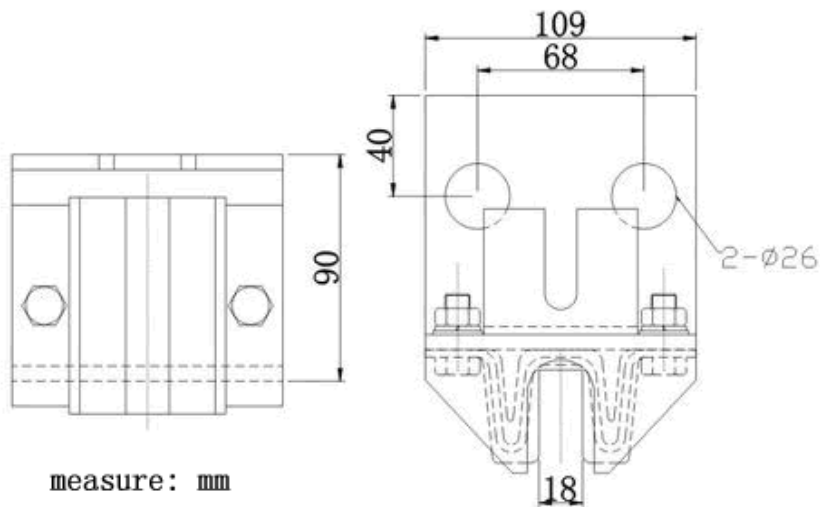


Part No.: M0001N1

Apply for: Mitsubishi counter weight guide shoe

Rated speed ≤ 2 m/s

Width of guide rails : 18 mm



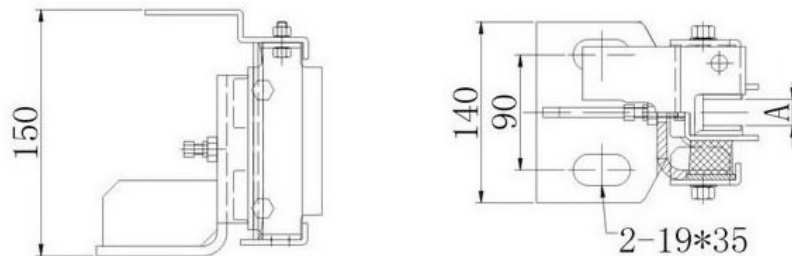
measure: mm



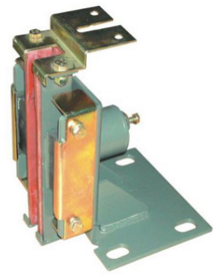
Part No.: M0002N1

Apply for: Mitsubishi for passenger elevator

Width of guide rails : 10,16 mm



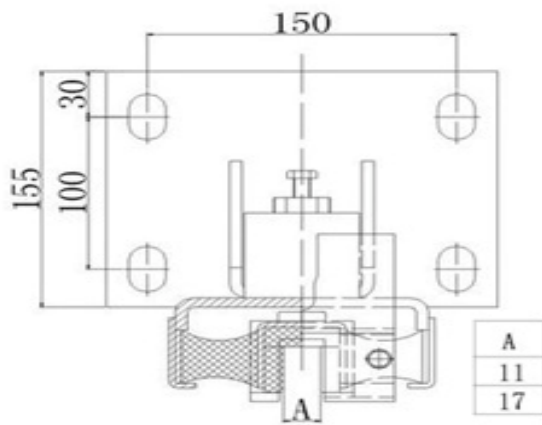
measure: mm



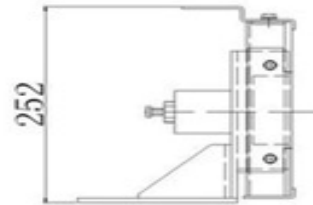
Part No.: M0003N1

Apply for: Mitsubishi

Width of guide rails : 10,16 mm

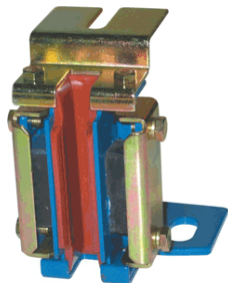


mm



Guide Shoes

25.4mm = 1 inch
mm — millimeter



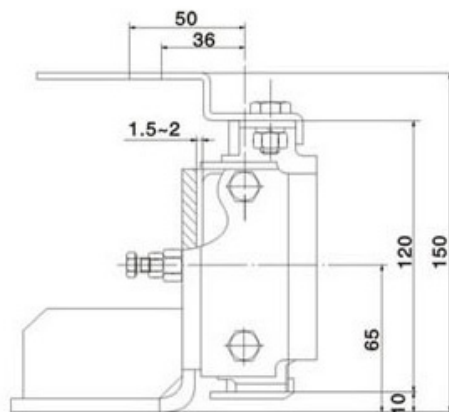
Part No.: M0003N4

Apply for: Mitsubishi

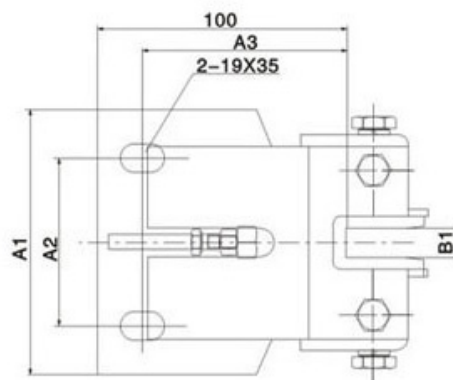
for passenger elevator

Rated speed ≤ 2.5 m/s

Width of guide rails : 10,16 mm



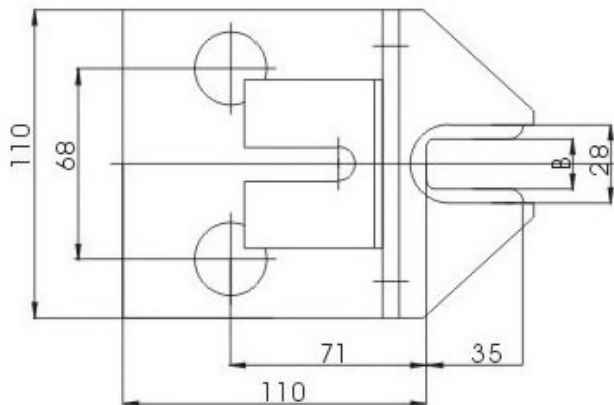
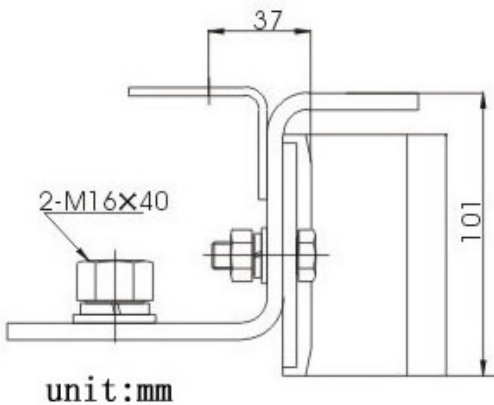
mm





Part No.: M0001N2

Apply for: **Mitsubishi**
counter weight guide shoe
for passenger elevator
Width of guide rails : 12,18 mm

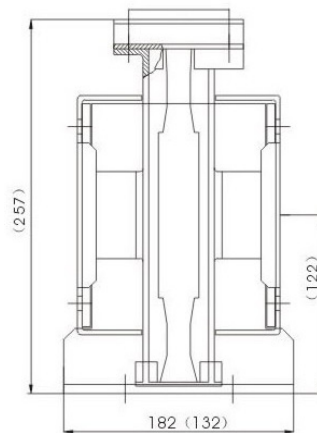
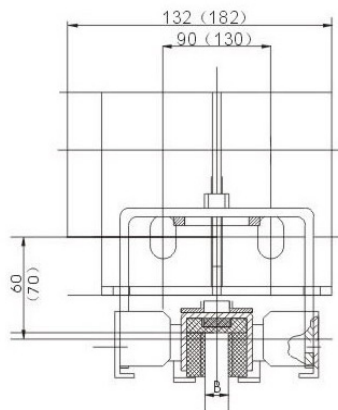


Guide Shoes



Part No.: M0002N2

Apply for: **Mitsubishi**
for passenger elevator
Width of guide rails : 10,16 mm

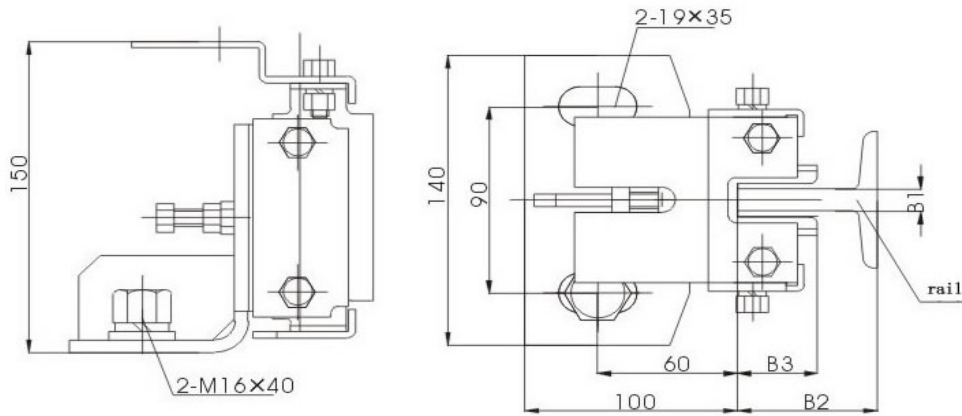


25,4mm = 1 inch
mm — millimeter



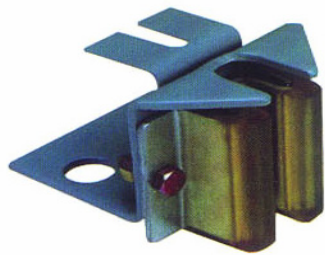
Part No.: M0003N2

Apply for: **Mitsubishi**
for passenger and goods elevator



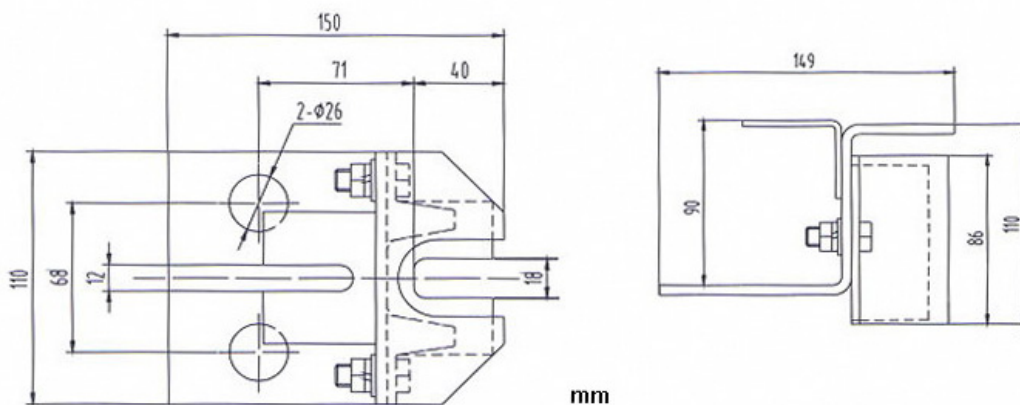
measure: mm

rail	B1	B2	B3
8kg	10	58	36
13kg	16	62.25	36



Part No.: M0001N6

Apply for: **Mitsubishi**
For counter weight
Rated speed ≤ 2 m/s
Width of guide rails : 18 mm



mm

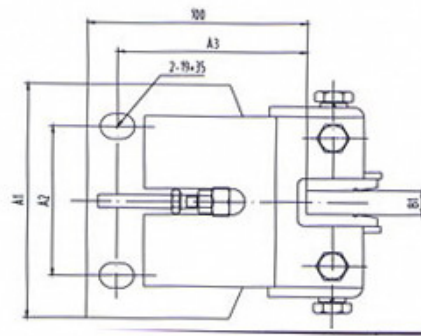
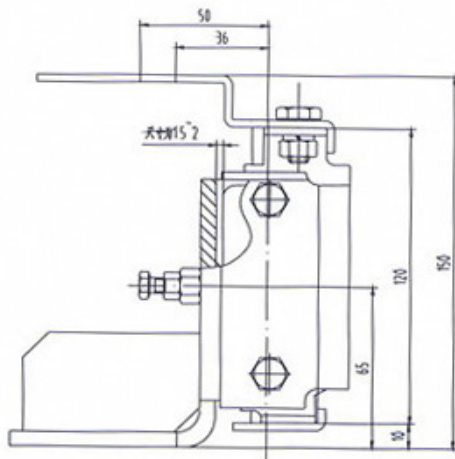


Part No.: M0003N6

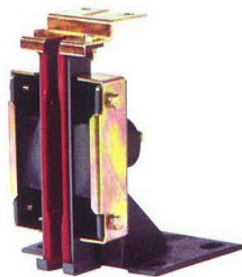
Apply for: Mitsubishi

Rated speed $\leq 2\text{m/s}$

Width of guide rails : 10,16mm



mm



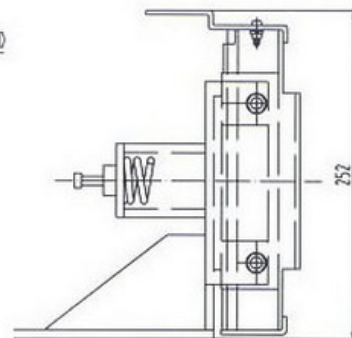
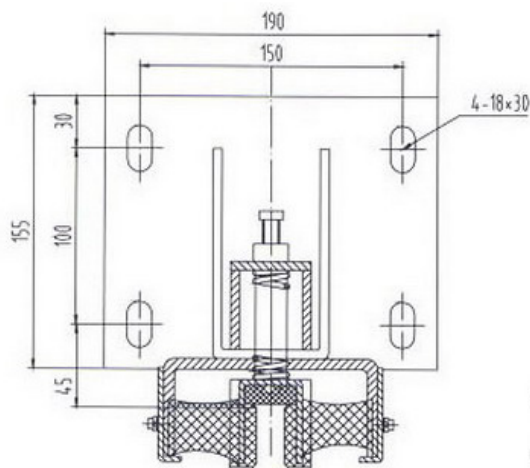
Part No.: M0004N6

Apply for: Mitsubishi

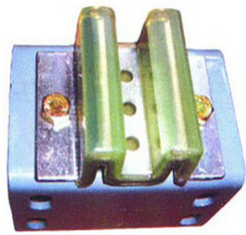
For counter weight

Rated speed $\leq 2.5\text{m/s}$

Width of guide rails : 10,16mm



measure: mm



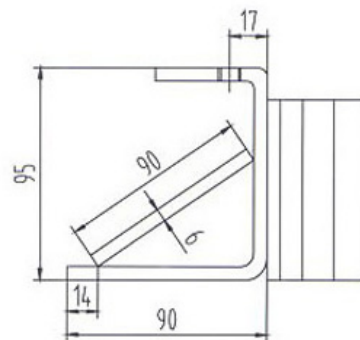
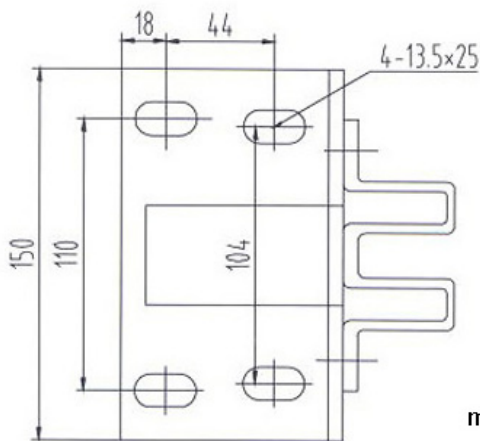
Part No.: M0002N6

Apply for: Mitsubishi

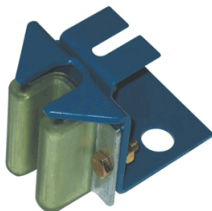
For counter weight

Rated speed ≤ 2.5 m/s

Width of guide rails : 18 mm



mm

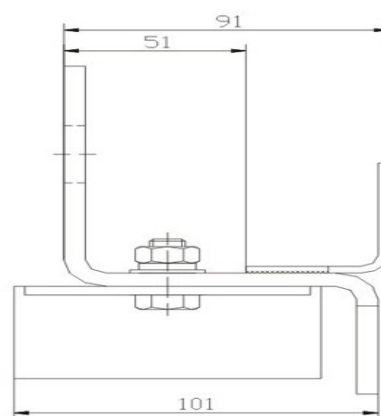
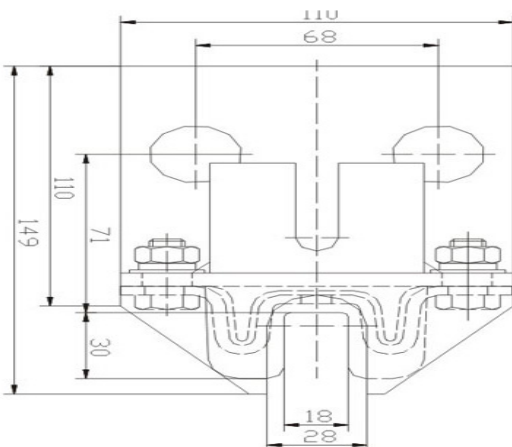


Part No.: M0001N4

Apply for: Mitsubishi

Rated speed ≤ 2.5 m/s

Width of guide rails(A) : 10,16 mm



Guide Shoes

25.4mm = 1 inch
mm — millimeter

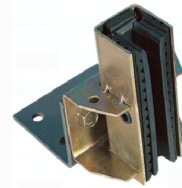


Part No.: M0002N4

Apply for: **Mitsubishi**
for passenger elevator

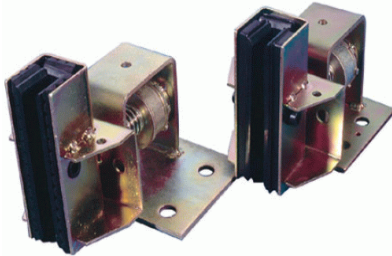
Rated speed ≤ 2.5 m/s

Width of guide rails : 10,16 mm



Part No.: T0004S1

Apply for: **Otis**
for counter weight of passenger
elevator



Part No.: T0001T1

Apply for: **Otis**
for cab of passenger elevator



Part No.: T0005T1

Apply for: **Otis**
rotary guide shoe
for common use

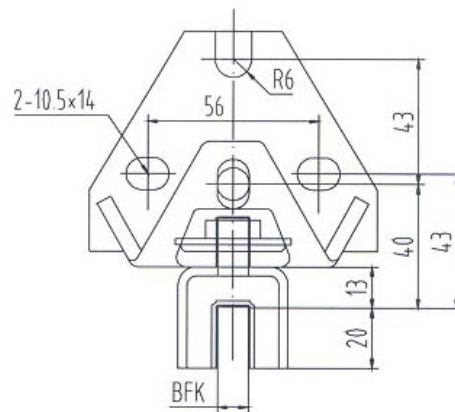
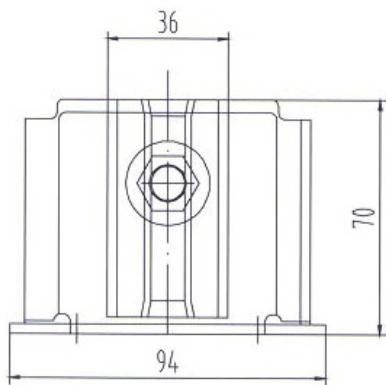


Part No.: Q0004N6

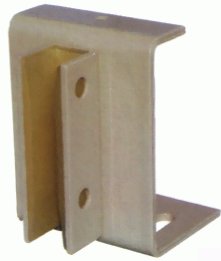
Apply for: **Thyssenocrupp**

Rated speed ≤ 2 m/s

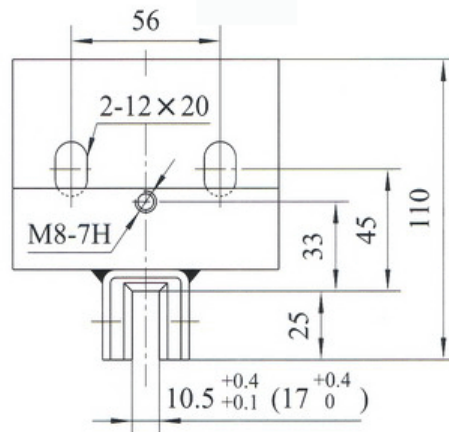
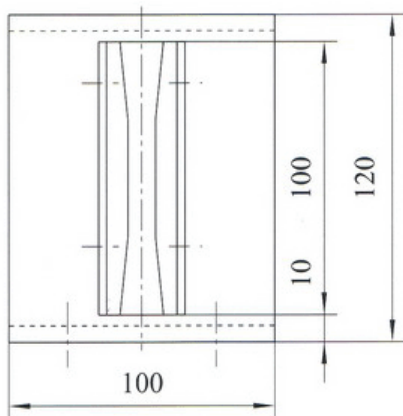
Width of guide rails : 8,10,16 mm



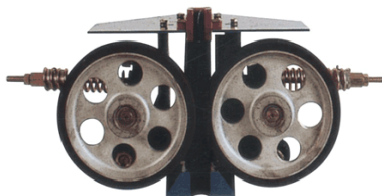
measure: mm



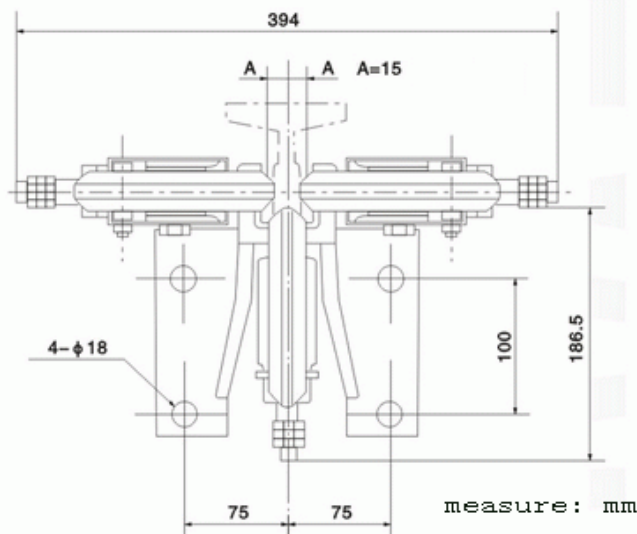
Part No.: Q0001H2
for counter weight
Rated speed $\leq 1.75\text{m/s}$
Width of guide rails : 10,16.4mm



measure: mm



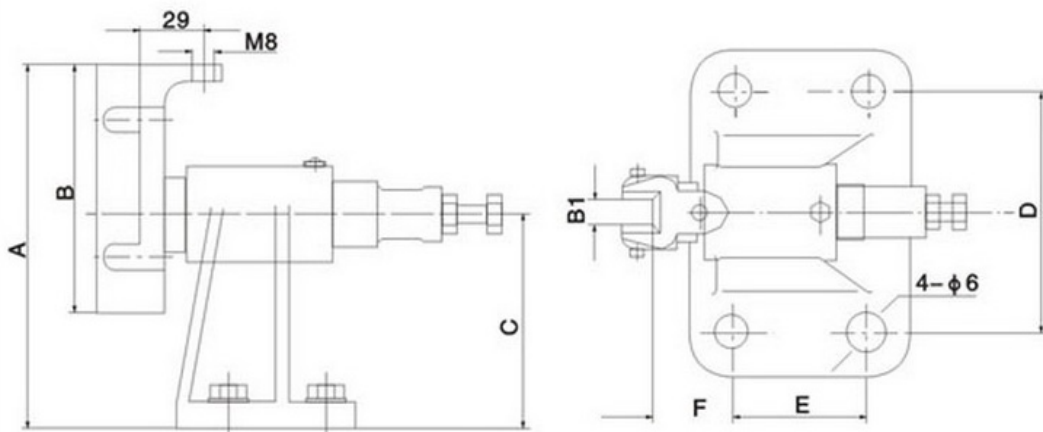
Part No.: Q0001N4
roller guide shoe
Rated speed $\leq 5\text{ m/s}$
Width of guide rails : 8-20 mm



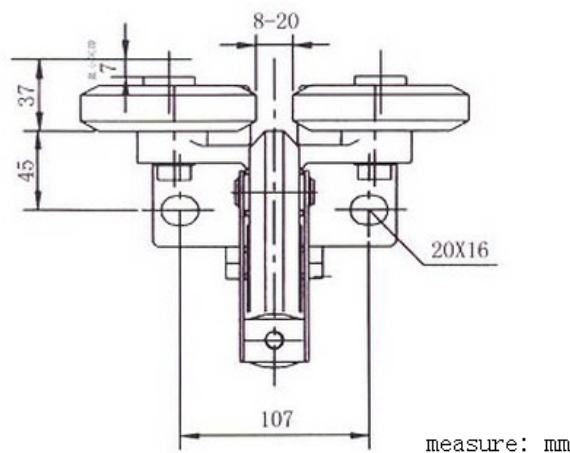
measure: mm



Part No.: Q0003N4
 Rated speed ≤ 5 m/s
 Width of guide rails : 8-20 mm



Part No.: Q0002N6
 Apply for: high speed elevator
 Roller guide shoe
 Rated speed ≤ 5 m/s
 Width of guide rails: 8-20 mm





Part No.: Q0005N6

Apply for: high speed elevator

Roller guide shoe

Rated speed ≤ 5 m/s

Width of guide rails : 8-20 mm

