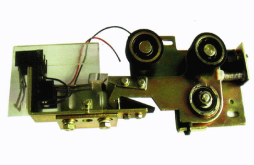
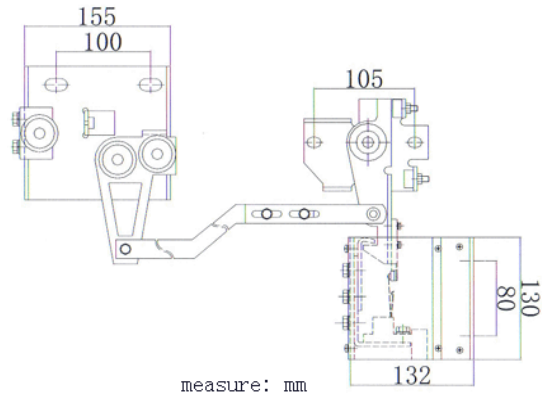
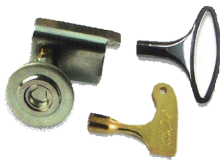
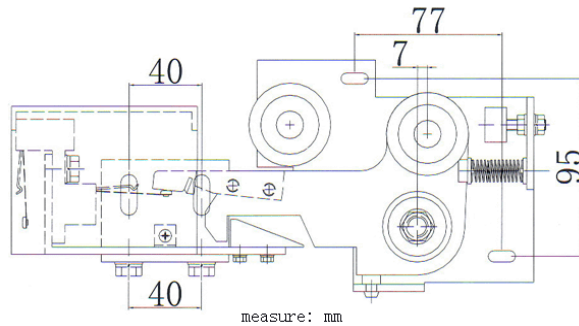


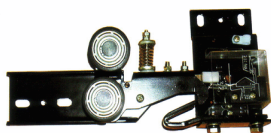
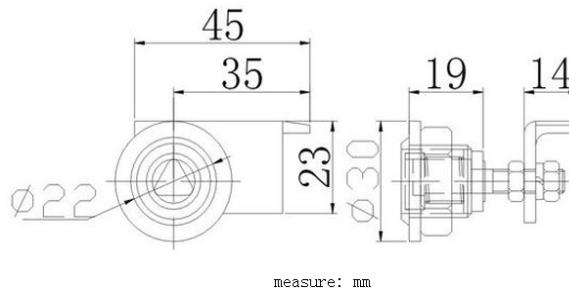
Part No.: S0401N1
Apply for: Schindler



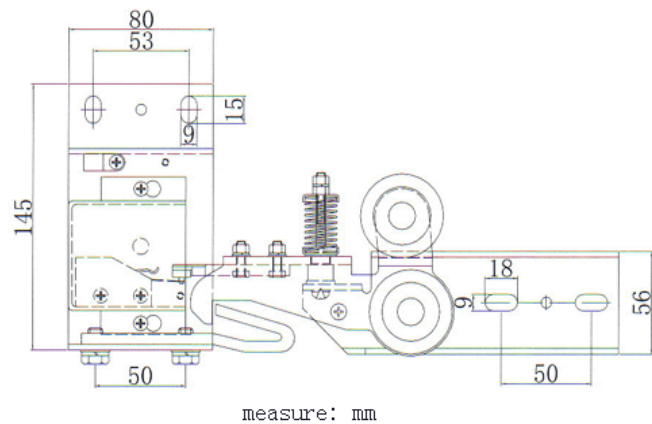
Part No.: S0402N1
Apply for: Schindler



Part No.: M0401N1
Apply for: Mitsubishi

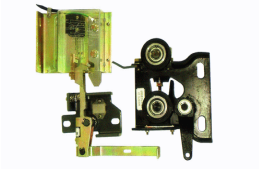


Part No.: M0402N1
Apply for: Mitsubishi
for Mitsubishi passenger elevator

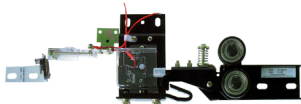
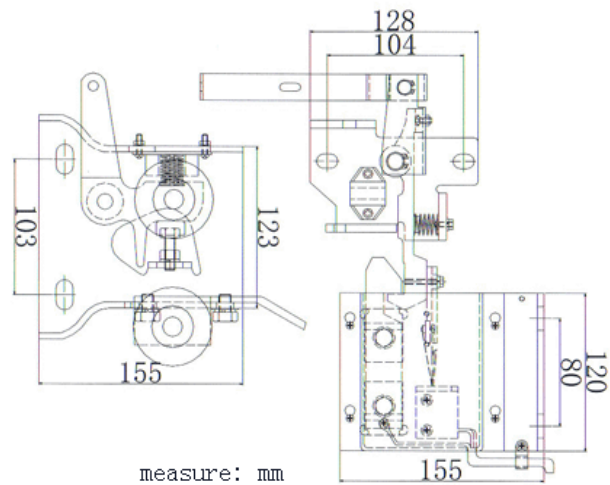


Locks

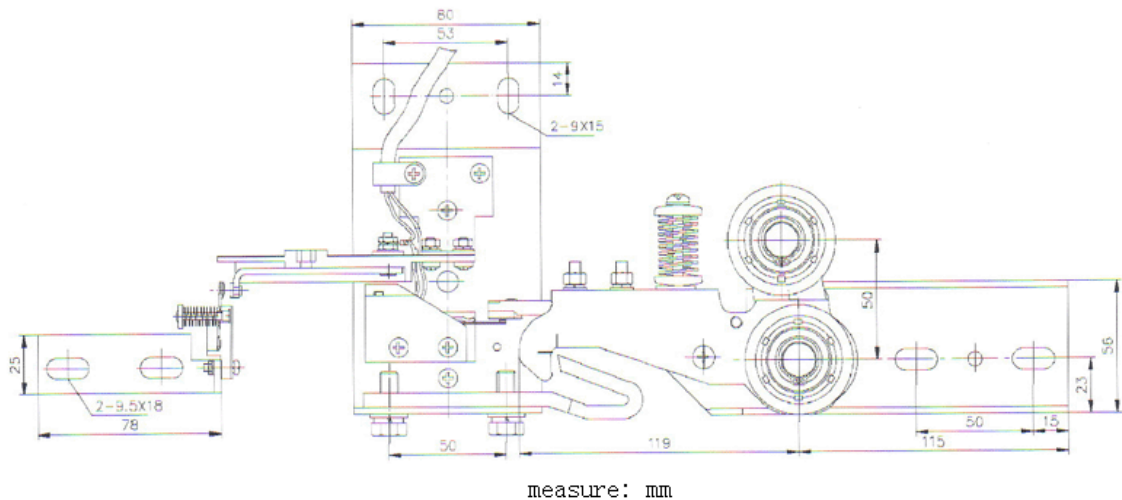
25.4mm = 1inch
mm — millimeter



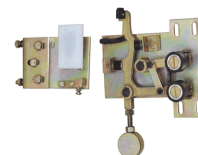
Part No.: M0403N1
Apply for: Mitsubishi
for Mitsubishi freight elevator



Part No.: M0401N5
Apply for: Mitsubishi
for Mitsubishi elevator
rated voltage: DC110V
rated current: 0.2A



Part No.: M0401N4
Apply for: Mitsubishi



Part No.: M0402N4
Apply for: Mitsubishi

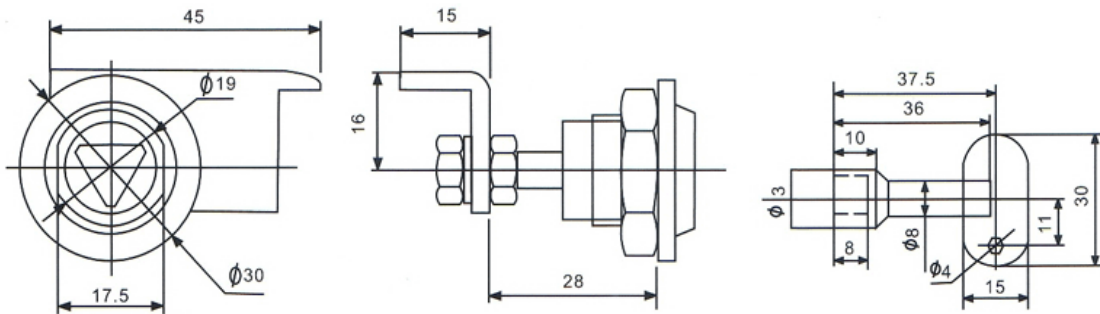
Locks

25.4mm = 1inch
mm — millimeter

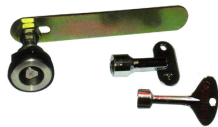


Part No.: M0401N3

Apply for: Mitsubishi

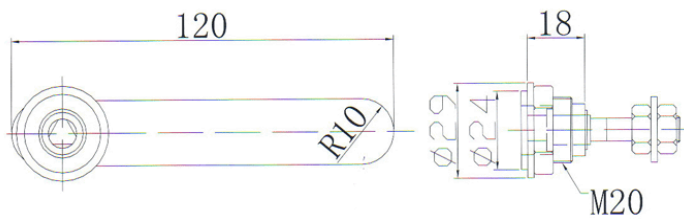


measure: mm



Part No.: H0401N1

Apply for: Hitachi

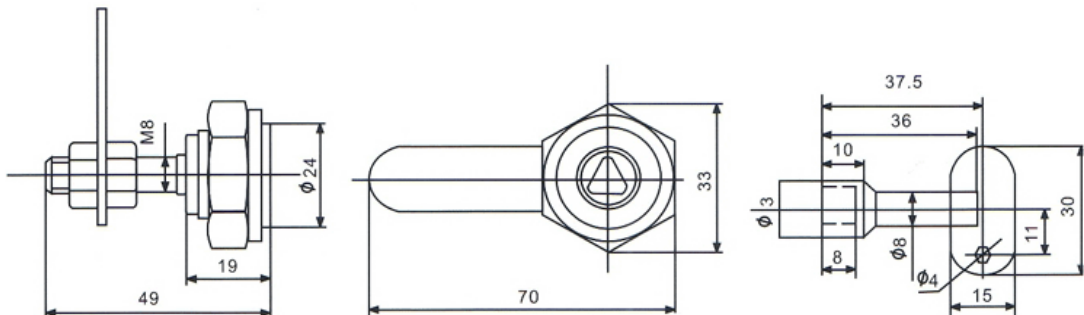


measure: mm

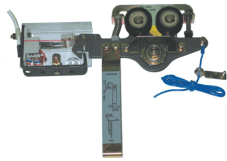


Part No.: H0401N3

Apply for: Hitachi



measure: mm



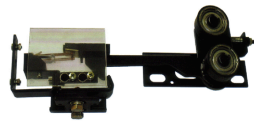
Part No.: H0401N4

Apply for: Hitachi



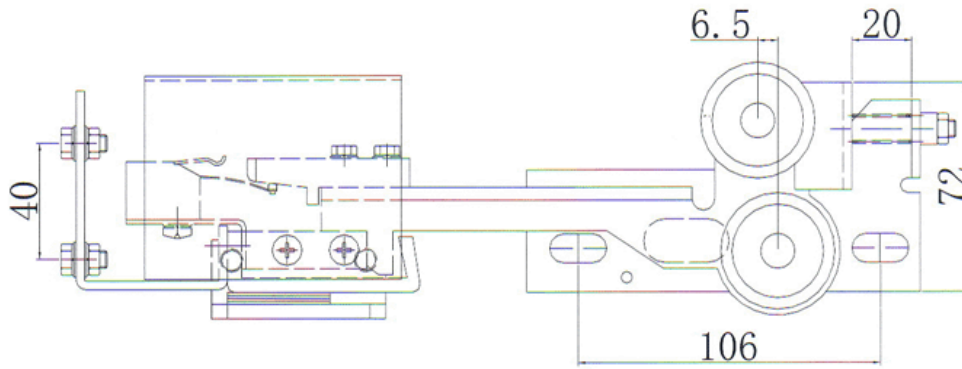
Part No.: H0402N4

Apply for: Hitachi



Part No.: B0401N1

Apply for: Toshiba

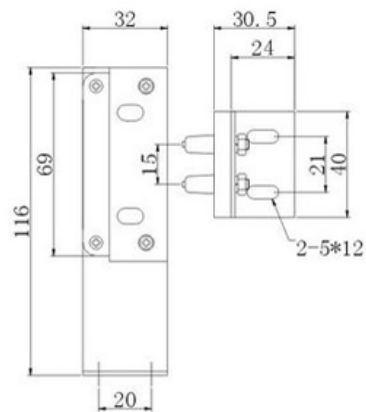


measure: mm



Part No.: Q0901N1

for landing door



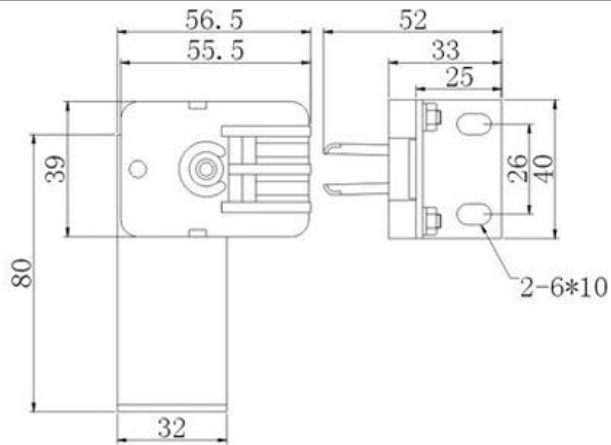
measure: mm

Locks

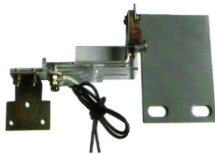
25.4mm = 1inch
mm — millimeter



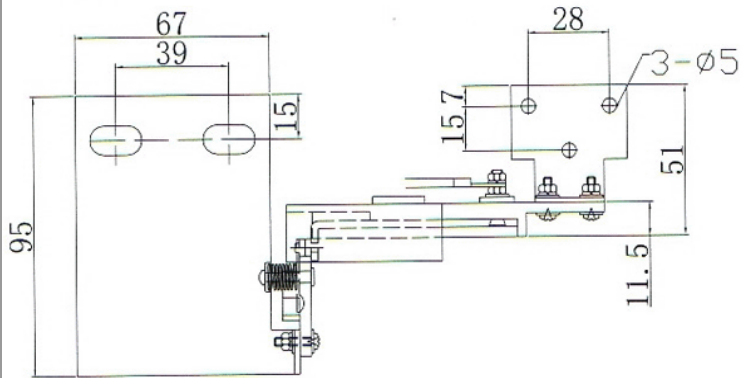
Part No.: Q0902N1
for landing door



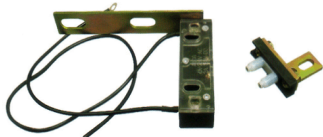
measure: mm



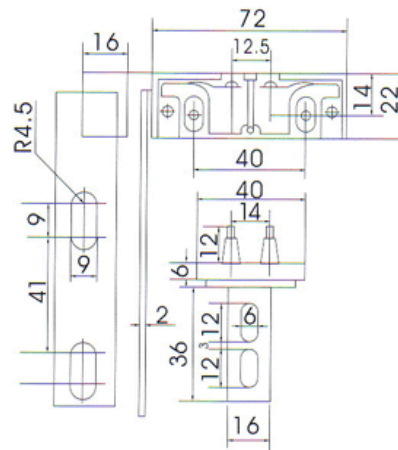
Part No.: Q0908N1



measure: mm



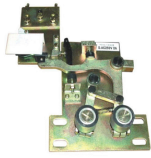
Part No.: Q0911N1



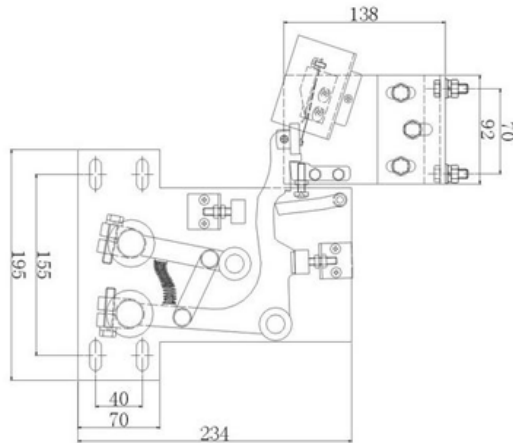
measure: mm

Locks

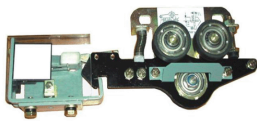
25.4mm=1inch
mm — millimeter



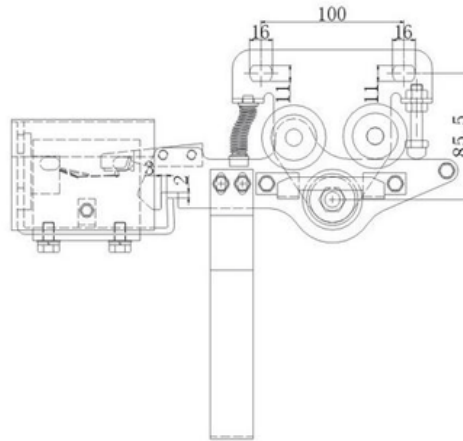
Part No.: Q0407N1



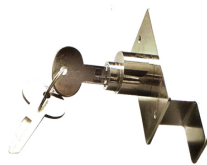
measure: mm



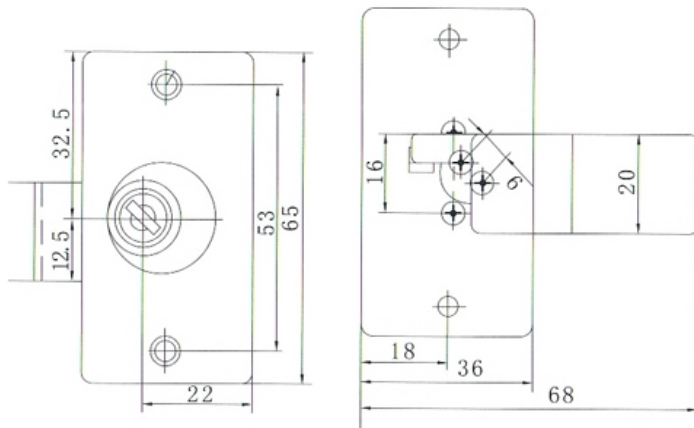
Part No.: Q0405N1



measure: mm



Part No.: Q0403N1



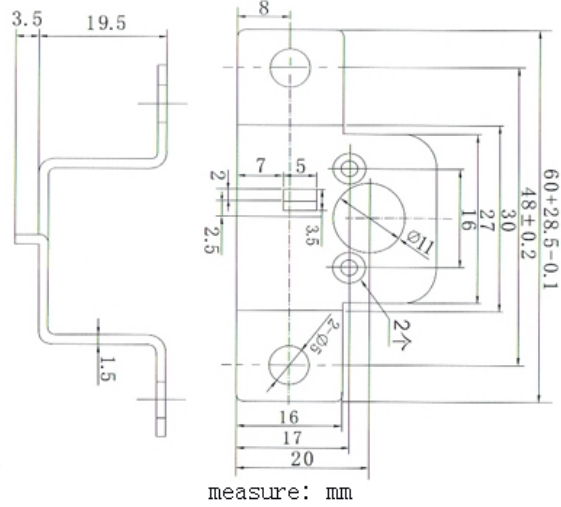
measure: mm

Locks

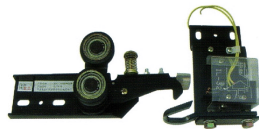
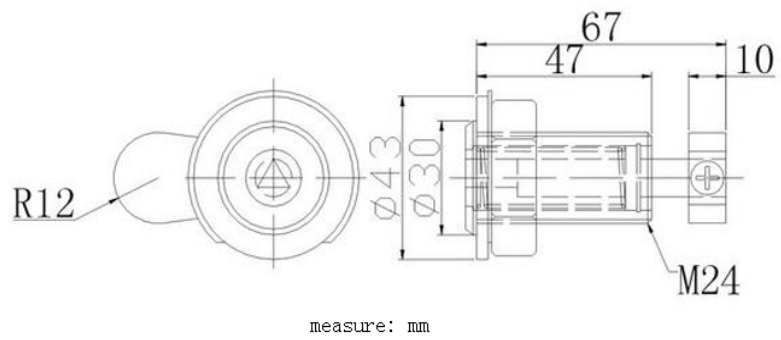
25.4mm = 1inch
mm — millimeter



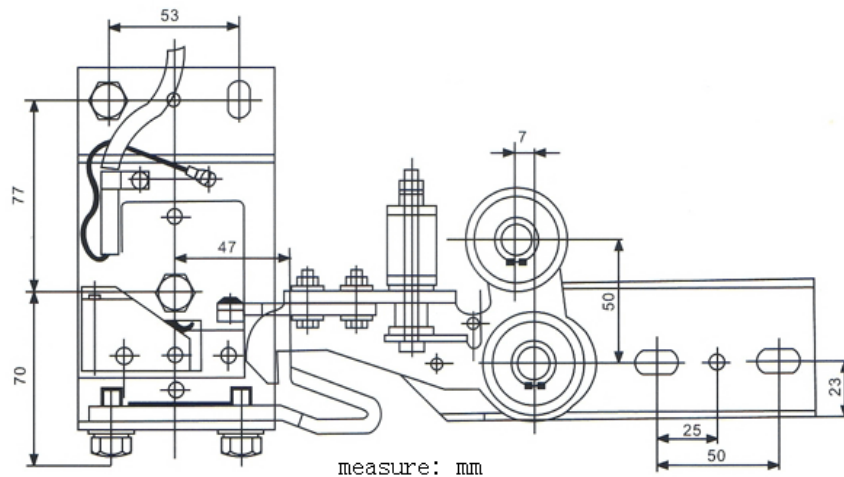
Part No.: Q0402N1



Part No.: Q0401N1



Part No.: Q0402N3

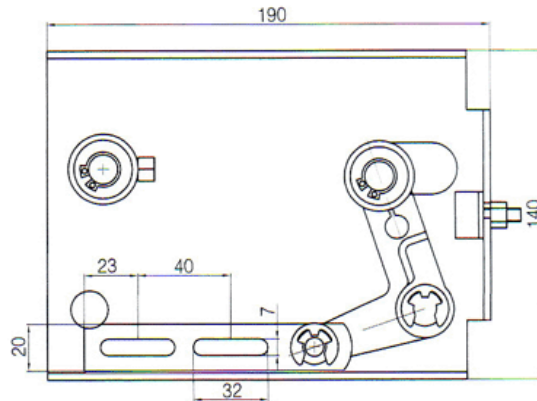


Locks

25.4mm = 1inch
mm — millimeter



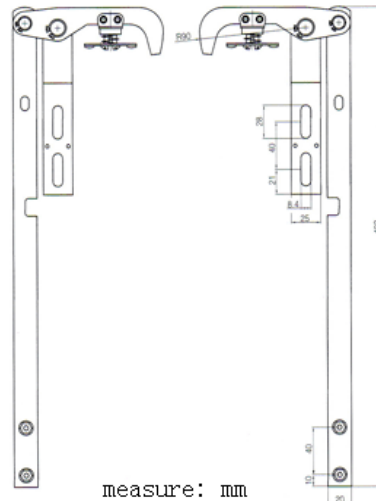
Part No.: Q0402J3



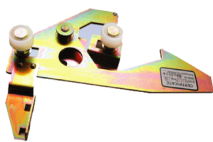
measure: mm



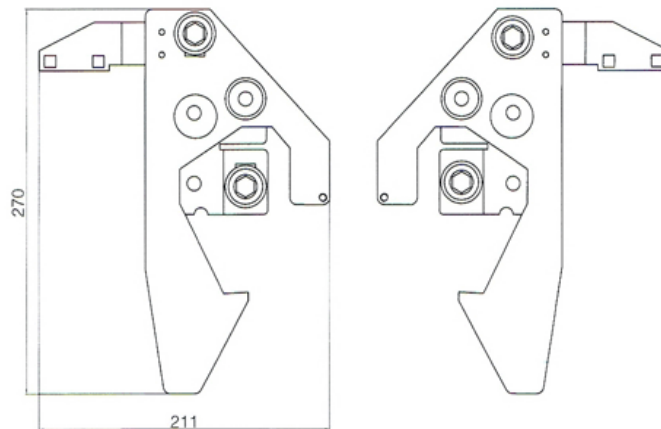
Part No.: Q0403J3



measure: mm



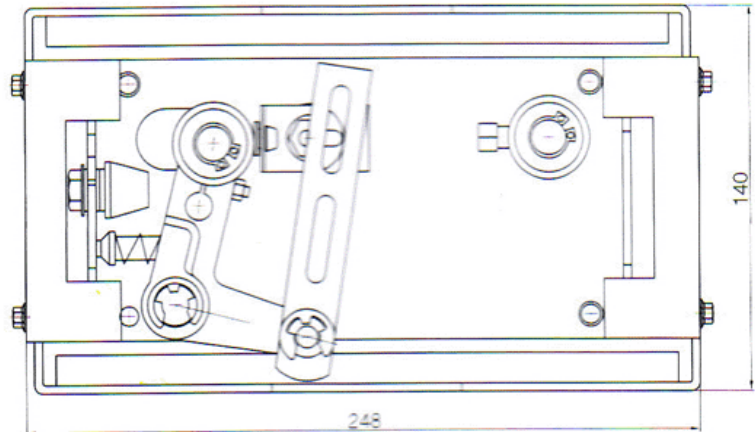
Part No.: Q0404J3



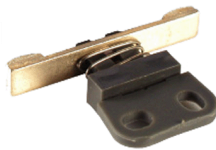
measure: mm



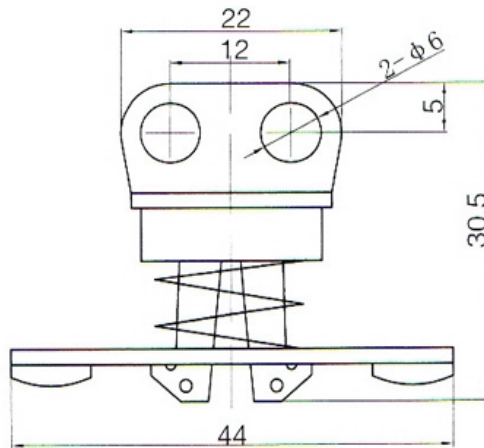
Part No.: Q0405J3



measure: mm



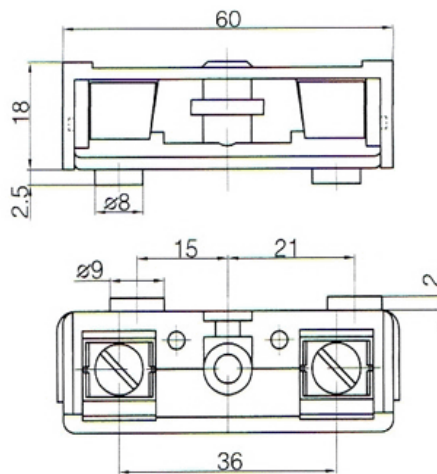
Part No.: Q0406J3



measure: mm



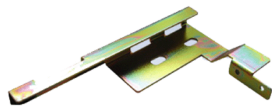
Part No.: Q0407J3



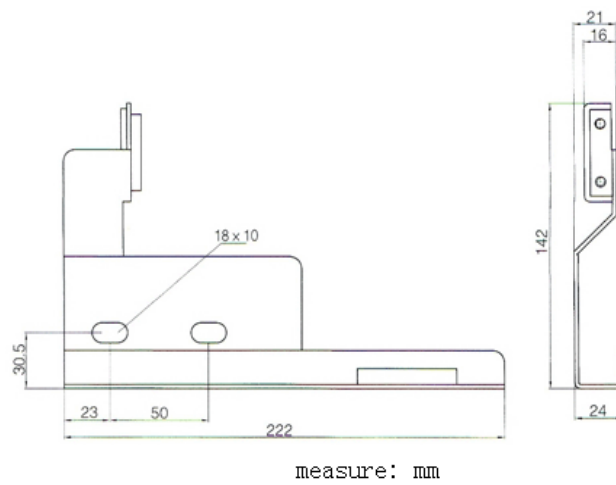
measure: mm

Locks

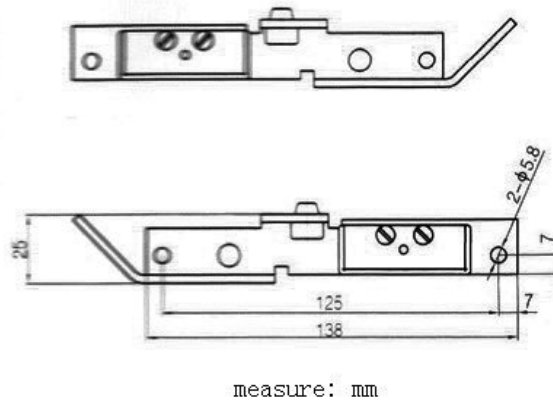
25.4mm = 1inch
mm — millimeter



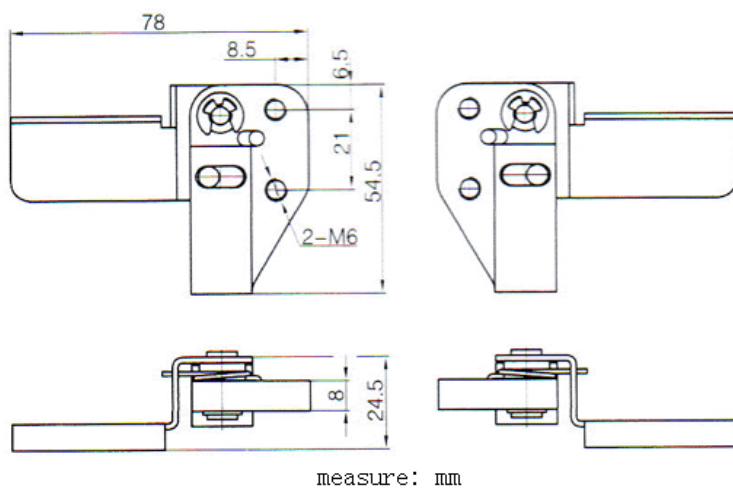
Part No.: Q408J3

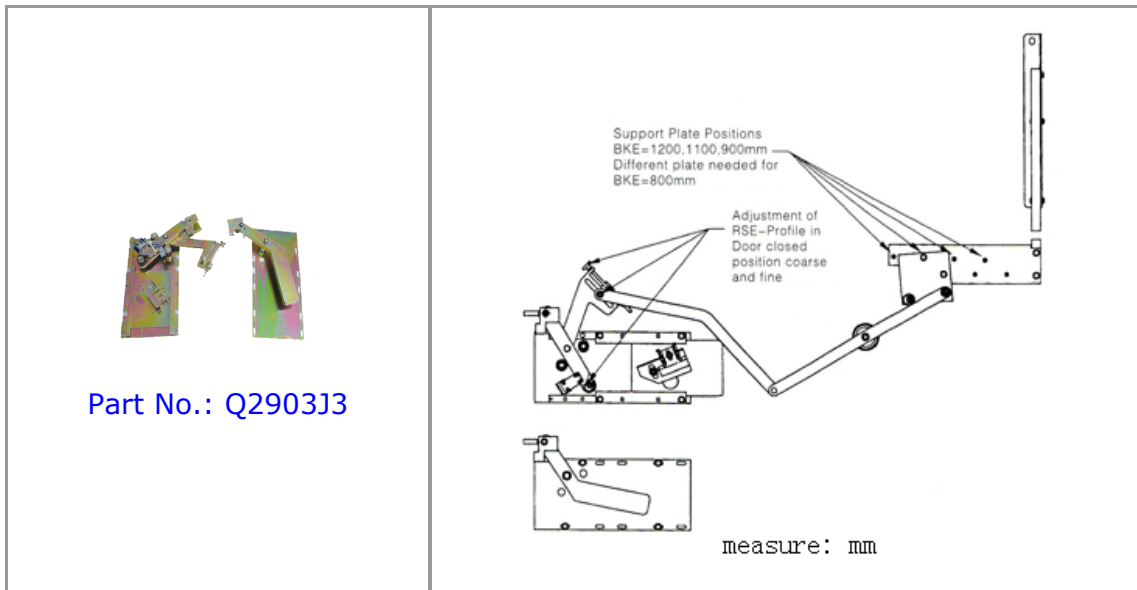


Part No.: Q2901J3

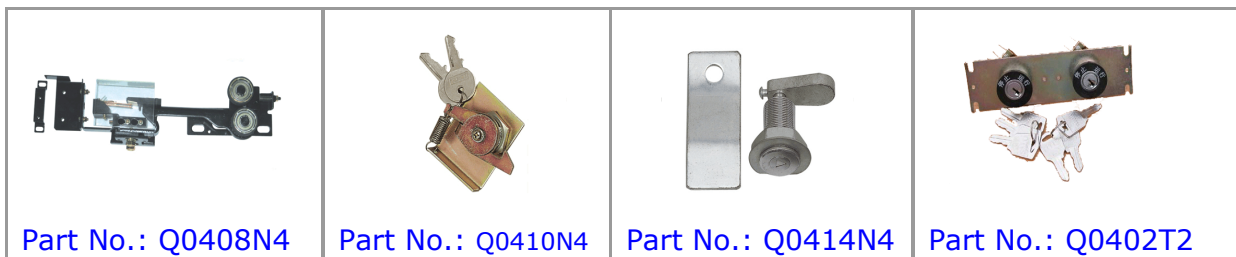


Part No.: Q2902J3





Locks



25.4mm = 1inch
mm — millimeter